

F

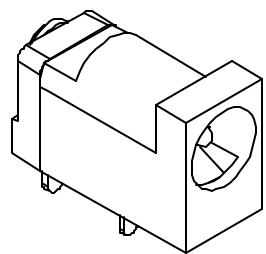
E

D

C

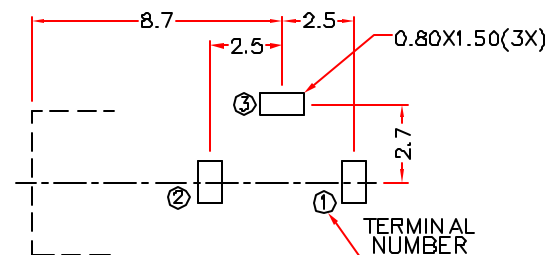
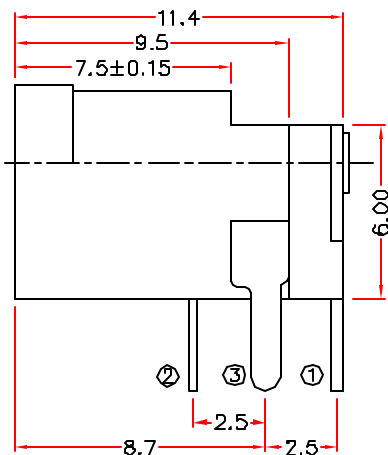
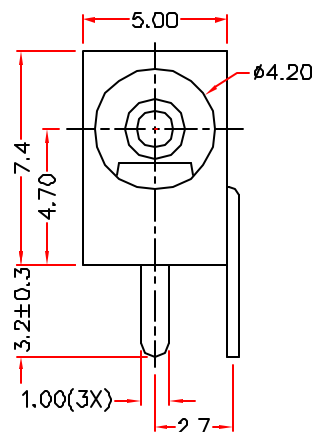
B

A

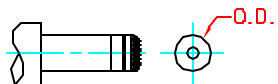


RoHS
Compliant

ZONE	SYMBOL	REVISION	APPROVAL	DATE
		ADD MATE PLUG	J.X.KUANG	21-9-2006



PCB LAYOUT
(BOTTOM VIEW)



DC MATE PLUG

MODEL NO.	HDC-900H-1	HDC-900H-1	HDC-900H-1
SCHEMATIC			
CENTER PIN	$\phi 1\text{mm}$	$\phi 1.3\text{mm}$	$\phi 1.65\text{mm}$
DC PLUG O.D.	$\phi 3.4\text{mm}/\phi 3.8\text{mm}$	$\phi 3.4\text{mm}/\phi 3.8\text{mm}$	$\phi 3.8\text{mm}/\phi 4\text{mm}$

* MATERIAL

CENTRE PIN : COPPER
 TERMINAL 1 : BRASS
 TERMINAL 2 : COPPER ALLOY
 TERMINAL 3 : BRASS
 HOUSING : PBT
 COVER : PBT

HUAI YANG CO.,LTD. 淮洋有限公司 TEL:886-2-8261-0858

DESIGN	J.X.KUANG	DATE	28-2-2005	SCALE	4:1
DRAWING	L.L.ZHANG	DATE	21-9-2006	MATERIAL	*
CHECK		DATE		DWG. NO.	TZ\DC009H-1-PBT/C
APPROVAL		DATE		SHEET	

PART NAME	HIGH CURRENT DC POWER SOCKET	TOLERANCE UNLESS	0.0±0.2	UNIT:	mm
PART NO.	HDC-900H-1	OTHERWISE SPECIFIED:	0.00±0.1 0.000±0.05		

F

E

D

C

B

A DCF-04/A