

F

E

D

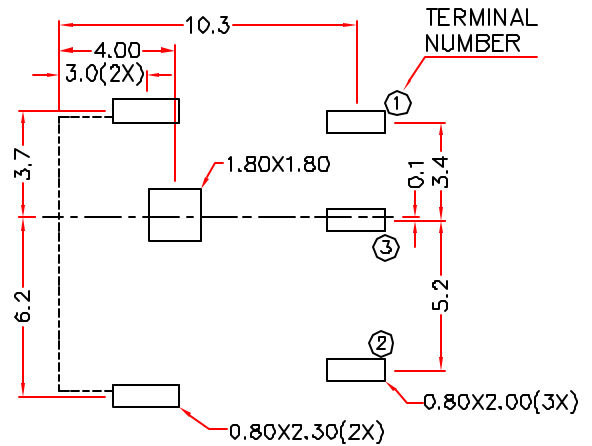
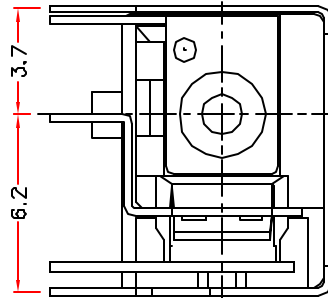
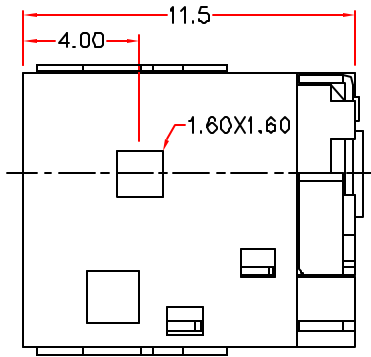
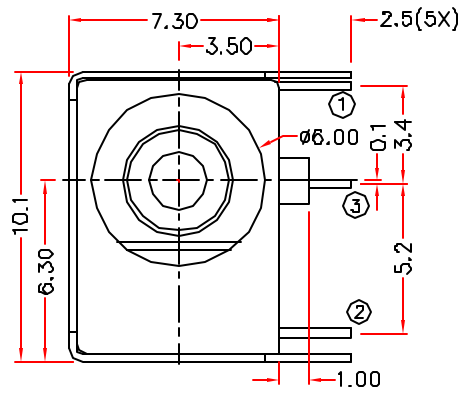
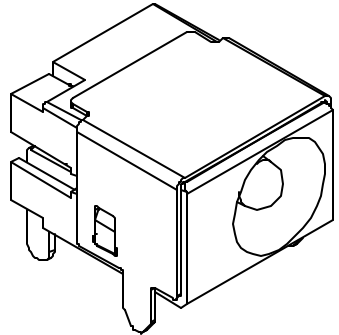
C

B

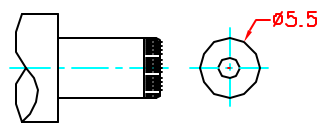
A

RoHS
Compliant

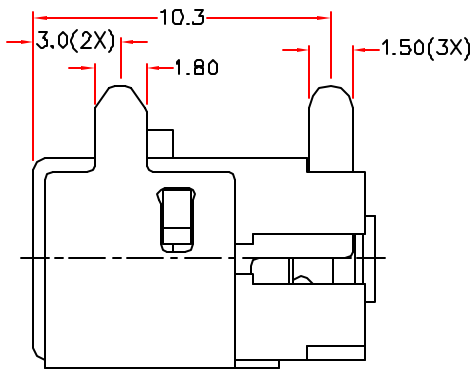
ZONE	SYMBOL	REVISION	APPROVAL	DATE
		ADD MATE PLUG	J.X.KUANG	30-9-2006



PCB LAYOUT
(BOTTOM VIEW)



DC MATE PLUG



MODEL NO.	HDC-804HS
SCHEMATIC	
CENTER PIN	ø1.65mm
	ø2mm
	ø2.5mm

* MATERIAL

- CENTRE PIN : COPPER
- TERMINAL 1 : BRASS
- TERMINAL 2 : COPPER ALLOY
- TERMINAL 3 : BRASS
- SHIELD : BRASS
- HOUSING : PBT

HUAI YANG CO.,LTD. 淮洋有限公司 TEL:886-2-8261-0858

PART NAME	HIGH CURRENT DC POWER SOCKET	TOLERANCE UNLESS	0.0±0.2	UNIT: mm
PART NO.	HDC-804HS	OTHERWISE SPECIFIED:	0.00±0.1 0.000±0.05	

DESIGN	J.JIANG	DATE	16-9-2004	SCALE	4:1
DRAWING	L.L.ZHANG	DATE	30-9-2006	MATERIAL	*
CHECK		DATE		DWG. NO.	TZ\DC048HS-PBT/C
APPROVAL		DATE		SHEET	

F

E

D

C

B

A

DCF-04/A