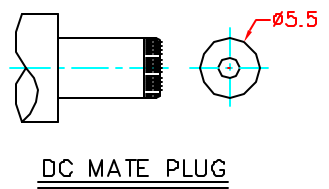
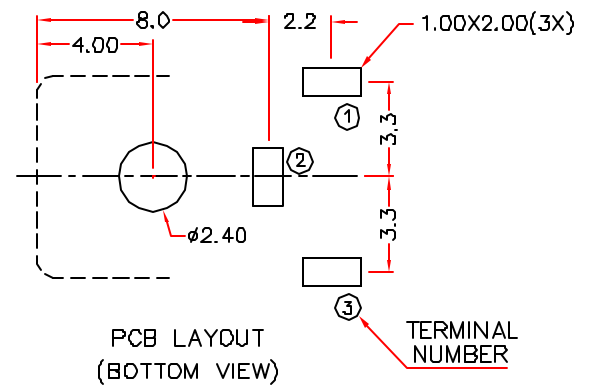
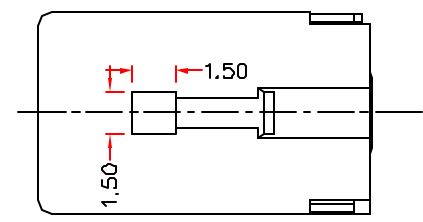
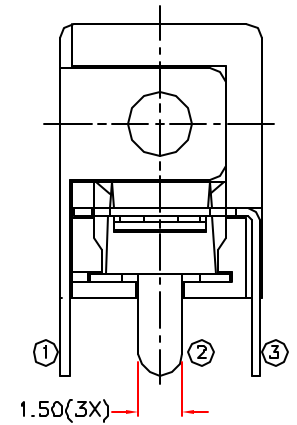
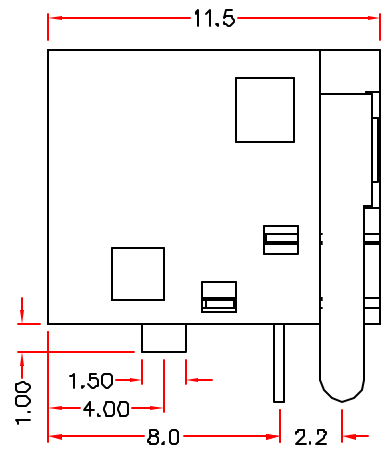
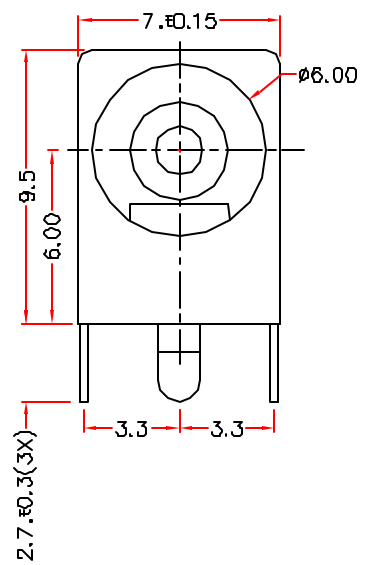


RoHS
Compliant

ZONE	SYMBOL	REVISION	APPROVAL	DATE
		ADD MATE PLUG	J.X.KUANG	29-9-2006



MODEL NO.	HDC-803H
SCHMATIC	
CENTER PIN	φ1.65mm
	φ2mm
	φ2.5mm

* MATERIAL

- CENTRE PIN : COPPER
- TERMINAL 1 : BRASS
- TERMINAL 2 : COPPER ALLOY
- TERMINAL 3 : BRASS
- HOUSING : PBT

HUAI YANG CO.,LTD. 淮洋有限公司 TEL:886-2-8261-0858

PART NAME	HIGH CURRENT DC POWER SOCKET	TOLERANCE UNLESS	0.0±0.2 0.00±0.1	UNIT:	
PART NO.	HDC-803H	OTHERWISE SPECIFIED:	0.000±0.05		

DESIGN	L.L.ZHANG	DATE	7-4-2005	SCALE	4:1
DRAWING	L.L.ZHANG	DATE	29-9-2006	MATERIAL	*
CHECK		DATE		DWG. NO.	TZ\DC03BH-PBT/C
APPROVAL		DATE		SHEET	