

F

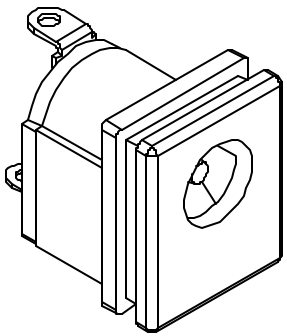
E

D

C

B

A

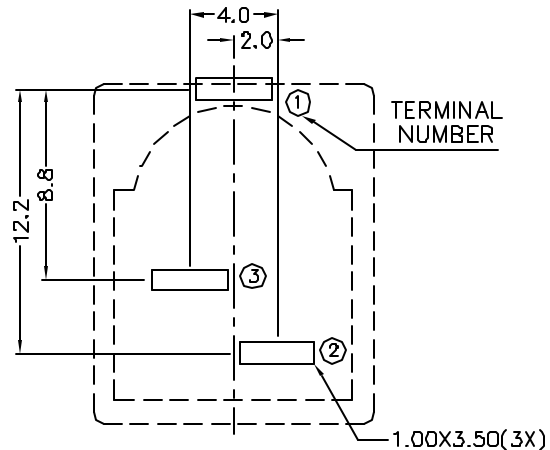
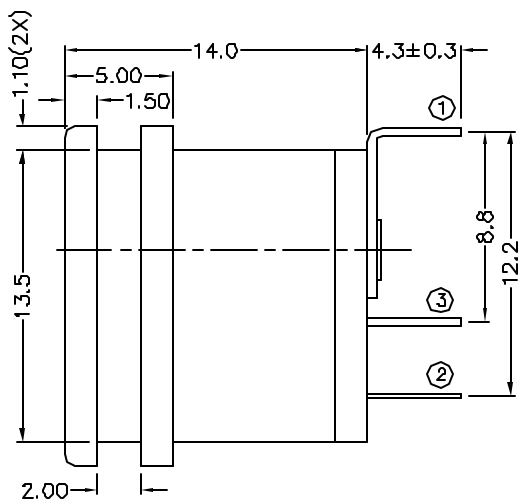
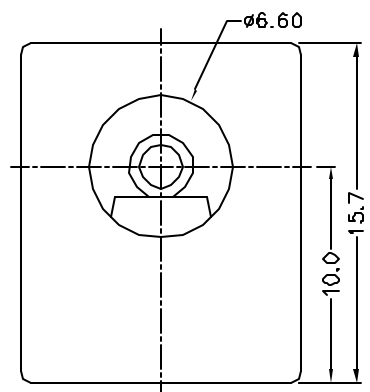


RoHS
Compliant

ZONE	SYMBOL	REVISION	APPROVAL	DATE
		ADD MATE PLUG	J.X.KUANG	21-9-2006

1

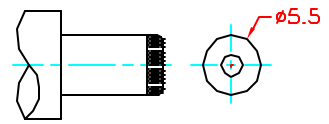
1



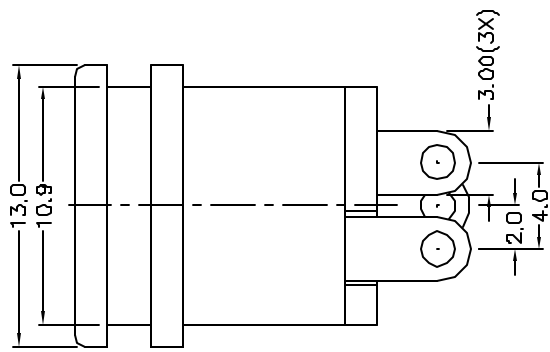
PCB LAYOUT
(BOTTOM VIEW)

*** MATERIAL**

- CENTRE PIN : COPPER
- TERMINAL 1 : BRASS
- TERMINAL 2 : COPPER ALLOY
- TERMINAL 3 : BRASS
- HOUSING : PBT
- COVER : PBT



DC MATE PLUG



MODEL NO.	HDC-800H
SCHEMATIC	
CENTER PIN	$\phi 2\text{mm}$
	$\phi 2.5\text{mm}$

3

3

4

4

HUAI YANG CO.,LTD. 淮洋有限公司 TEL:886-2-8261-0858

DESIGN	T.Y.LI	DATE	8-10-2003	SCALE	3:1
DRAWING	L.L.ZHANG	DATE	21-9-2006	MATERIAL	*
CHECK		DATE		DWG. NO.	TZ\DC008H-PBT/B
APPROVAL		DATE		SHEET	

PART NAME	HIGH CURRENT DC POWER SOCKET	TOLERANCE UNLESS	0.0±0.2	UNIT:
PART NO.	HDC-800H	OTHERWISE SPECIFIED:	0.00±0.1 0.000±0.05	

F

E

D

C

B

A

DCF-04/A