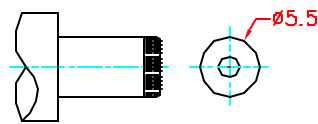
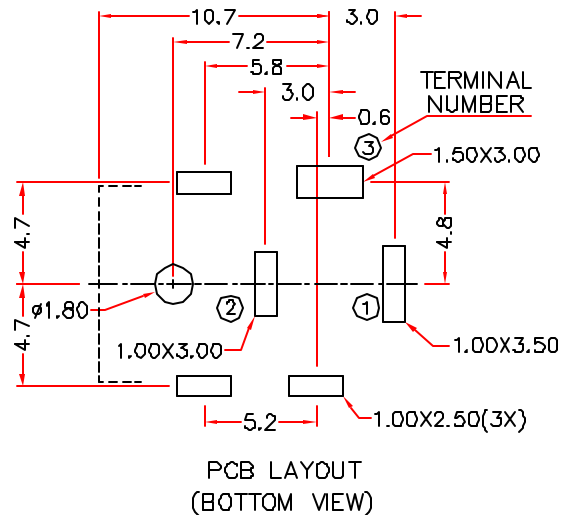
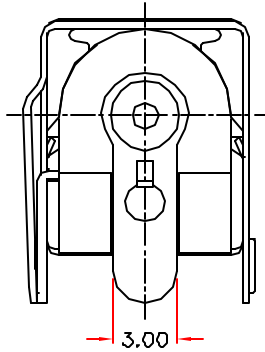
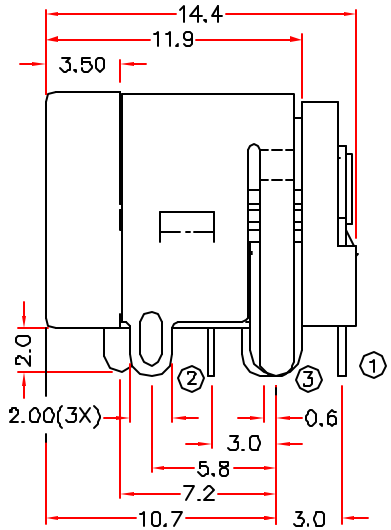
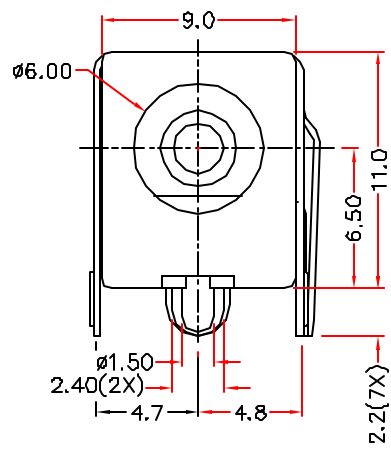
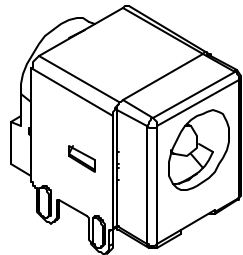
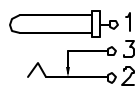


ZONE	SYMBOL	REVISION	APPROVAL	DATE

RoHS  
Compliant



DC MATE PLUG


MODEL NO.	HDC-704HS
SCHEMATIC	
CENTER PIN	ø1.65mm
	ø2mm
	ø2.35mm
	ø2.5mm

\* MATERIAL

- CENTRE PIN : COPPER
- TERMINAL 1 : BRASS
- TERMINAL 2 : COPPER ALLOY
- TERMINAL 3 : BRASS
- SHIELD : BRASS
- HOUSING : PBT
- COVER : PBT

HUAI YANG CO.,LTD. 淮洋有限公司 TEL:886-2-8261-0858

DESIGN	J.JIANG	DATE	22-12-2004	SCALE	3:1
DRAWING	T.Y.LI	DATE	21-5-2008	MATERIAL	*
CHECK		DATE		DWG. NO.	TZ\DC047HS-PBT/A
APPROVAL		DATE		SHEET	

PART NAME	HIGH CURRENT DC POWER SOCKET	TOLERANCE UNLESS	0.0±0.2	UNIT: 
PART NO.	HDC-704HS	OTHERWISE SPECIFIED:	0.00±0.1 0.000±0.05	