

F

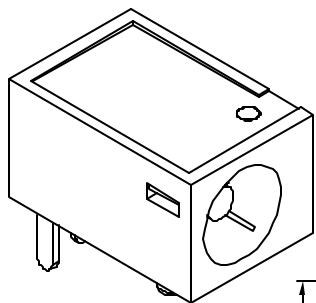
E

D

C

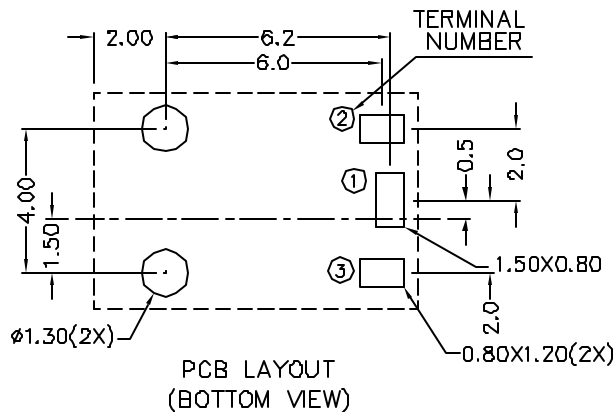
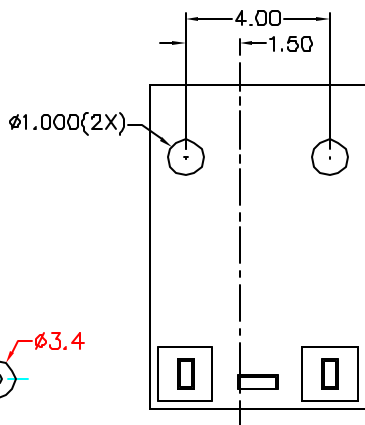
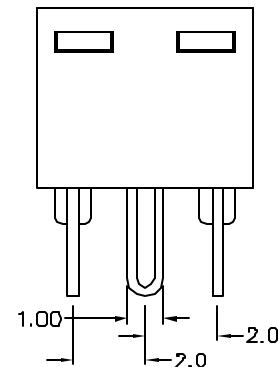
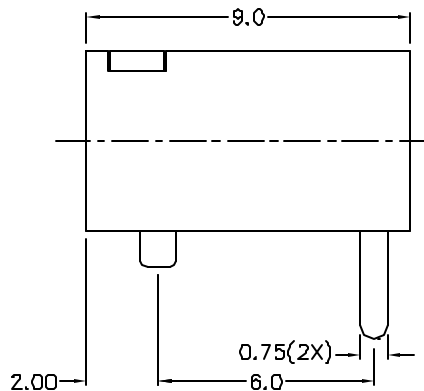
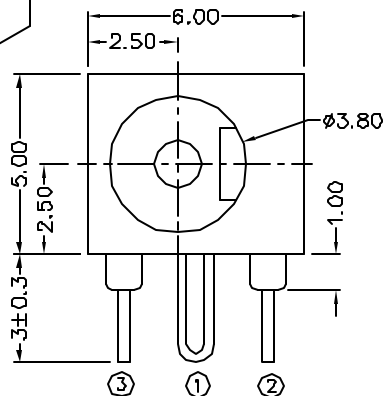
B

A



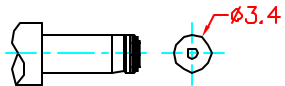
RoHS
Compliant

ZONE	SYMBOL	REVISION	APPROVAL	DATE
		ADD MATE PLUG	J.X.KUANG	11-7-2006



*** MATERIAL**

- TERMINAL 1 : BRASS
- TERMINAL 2 : COPPER ALLOY
- TERMINAL 3 : BRASS
- HOUSING : PA66
- COVER : PA66



DC MATE PLUG

MODEL NO.	HDC-703H
SCHEMATIC	
CENTER PIN	Ø1.3mm

HUAI YANG CO.,LTD. 淮洋有限公司 TEL:886-2-8261-0858

DESIGN	J.X.KUANG	DATE	26-2-2004	SCALE	5:1
DRAWING	T.Y.LI	DATE	11-7-2006	MATERIAL	*
CHECK		DATE		DWG. NO.	TZ\DC037H-PA66/B
APPROVAL		DATE		SHEET	

PART NAME	HIGH CURRENT DC POWER SOCKET	TOLERANCE UNLESS	0.0±0.2	UNIT:	
PART NO.	HDC-703H	OTHERWISE SPECIFIED:	0.00±0.1 0.000±0.05	mm	

F

E

D

C

B

A

DCF-04/A