

F

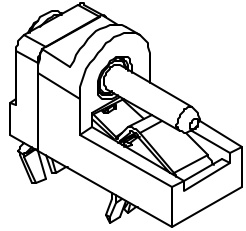
E

D

C

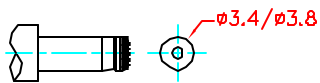
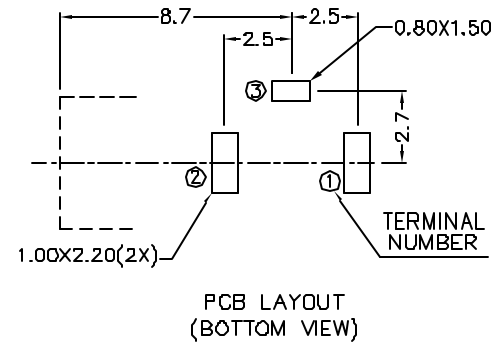
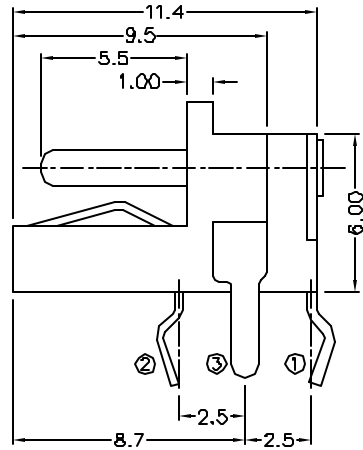
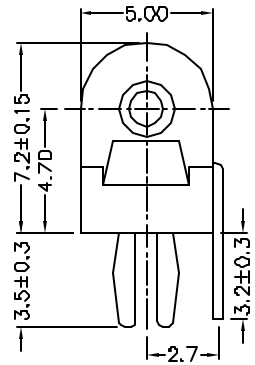
B

A



RoHS  
Compliant

ZONE	SYMBOL	REVISION	APPROVAL	DATE



DC MATE PLUG

MODEL NO.	HDC-700H-2
SCHEMATIC	
CENTER PIN	φ1mm
	φ1.3mm

\* MATERIAL

CENTRE PIN : COPPER  
 TERMINAL 1 : BRASS  
 TERMINAL 2 : COPPER ALLOY  
 TERMINAL 3 : BRASS  
 HOUSING : PBT  
 COVER : PBT

HUAI YANG CO.,LTD. 淮洋有限公司 TEL:886-2-8261-0858

DESIGN	J.M.KWAN	DATE	B-10-2003	SCALE	4:1
DRAWING	L.L.ZHANG	DATE	20-3-2007	MATERIAL	*
CHECK		DATE		DWG. NO.	TZ\DC007H-2-PBT/A
APPROVAL		DATE		SHEET	

PART NAME	HIGH CURRENT DC POWER SOCKET
PART NO.	HDC-700H-2

TOLERANCE UNLESS	0.0±0.2	UNIT:
OTHERWISE SPECIFIED:	0.00±0.1 0.000±0.05	

F

E

D

C

B

A DCF-04/A