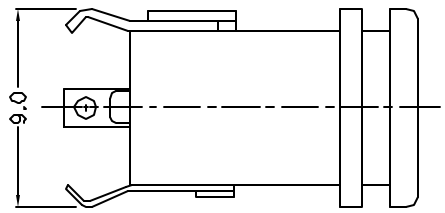
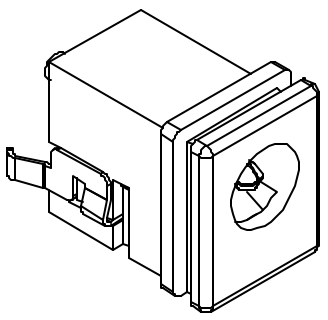


F E D C B A

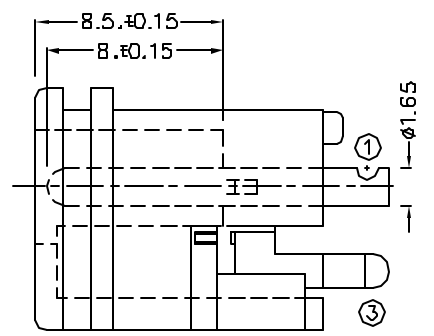
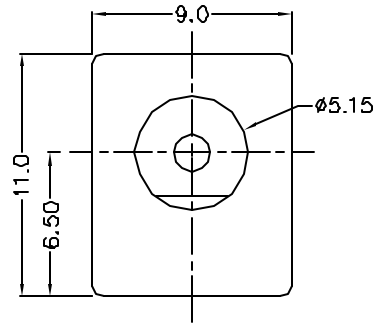
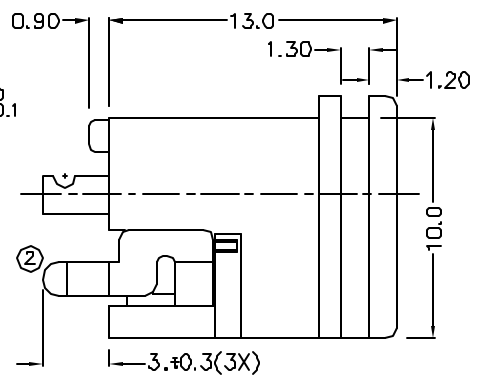
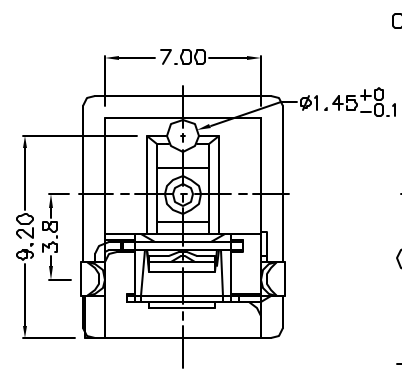
RoHS
Compliant

ZONE	SYMBOL	REVISION	APPROVAL	DATE
		ADD MATE PLUG	J.X.KUANG	11-7-2006

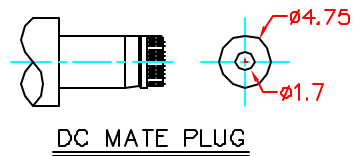
1



2

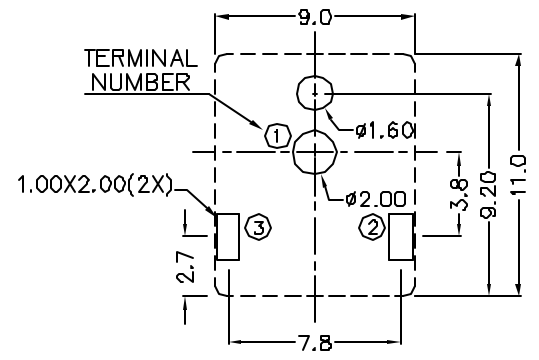


3



MODEL NO.	HDC-603H
SCHEMATIC	
CENTRE PIN	$\phi 1.65\text{mm}$

*** MATERIAL**
 TERMINAL 1 : BRASS
 TERMINAL 2 : COPPER ALLOY
 TERMINAL 3 : BRASS
 HOUSING : PBT



4

HUAI YANG CO.,LTD. 淮洋有限公司 TEL:886-2-8261-0858

DESIGN	T.Y.LI	DATE	10-10-2003	SCALE	3:1
DRAWING	T.Y.LI	DATE	11-7-2006	MATERIAL	*
CHECK		DATE		DWG. NO.	TZ\DC03BH-PBT/E
APPROVAL		DATE		SHEET	

PART NAME	HIGH CURRENT DC POWER SOCKET	TOLERANCE UNLESS	0.0±0.2	UNIT:	
PART NO.	HDC-603H	OTHERWISE SPECIFIED:	0.00±0.1 0.000±0.05	mm	

F E D C B A DCF-04/A