

F

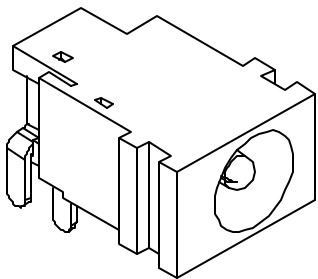
E

D

C

B

A



**RoHS**  
Compliant

ZONE	SYMBOL	REVISION	APPROVAL	DATE
		ADD RoHS Compliant	J.X.KUANG	8-7-2006

1

1

2

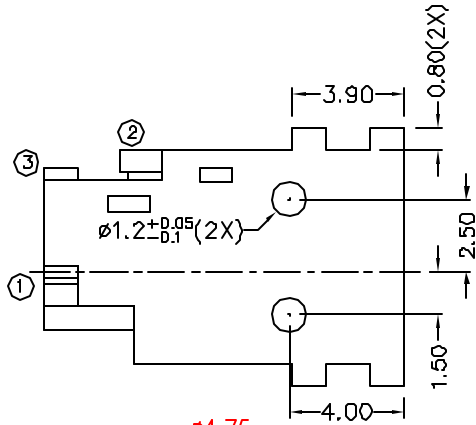
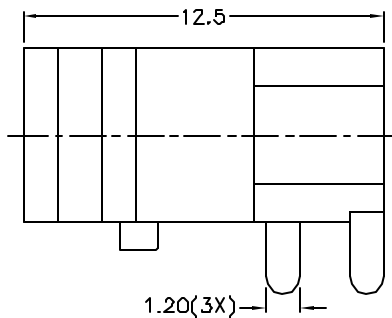
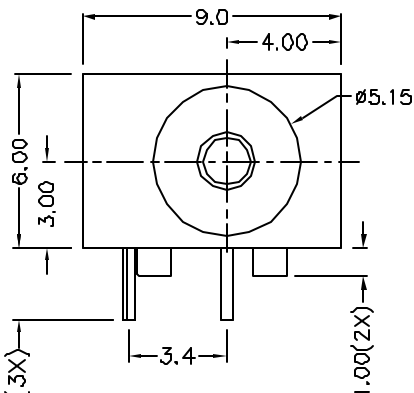
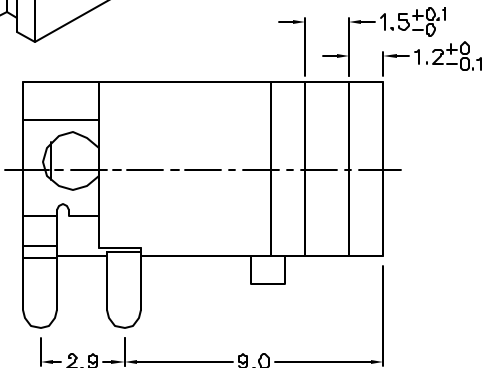
2

3

3

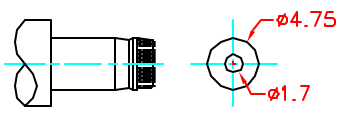
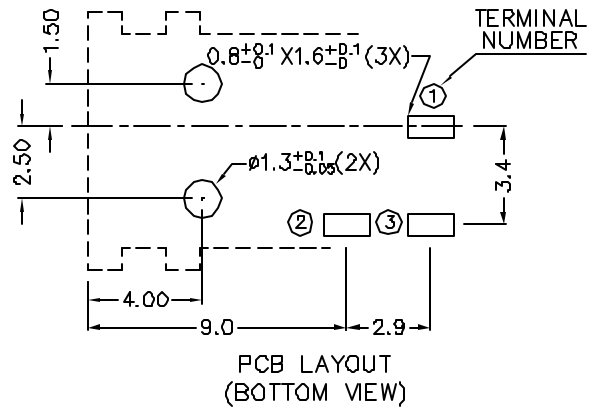
4

4



**\* MATERIAL**  
 TERMINAL 1 : BRASS  
 TERMINAL 2 : COPPER ALLOY  
 TERMINAL 3 : BRASS  
 HOUSING : PA66

MODEL NO.	HDC-602H
SCHEMATIC	1 3 2
CENTER PIN	ø1.65mm



**DC MATE PLUG**

**HUAI YANG CO.,LTD. 淮洋有限公司 TEL:886-2-8261-0858**

DESIGN	T.Y.U	DATE	10-10-2003	SCALE	4:1
DRAWING	T.Y.U	DATE	8-7-2006	MATERIAL	*
CHECK		DATE		DWG. NO.	TZ\DC026H-PA66/B
APPROVAL		DATE		SHEET	

PART NAME	HIGH CURRENT DC POWER SOCKET	TOLERANCE UNLESS	0.0±0.2 0.00±0.1	UNIT:	
PART NO.	HDC-602H	OTHERWISE SPECIFIED:	0.000±0.05		

F

E

D

C

B

A

DCF-04/A