

F

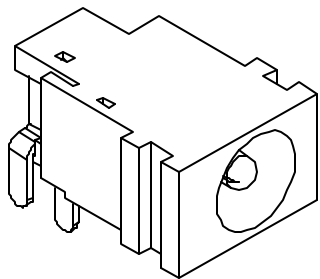
E

D

C

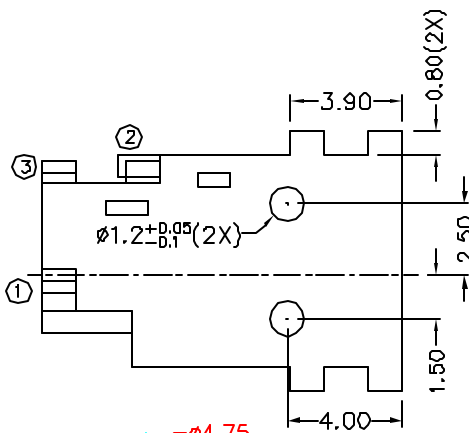
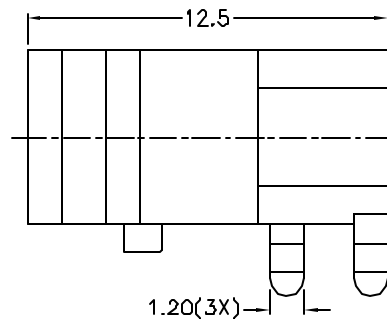
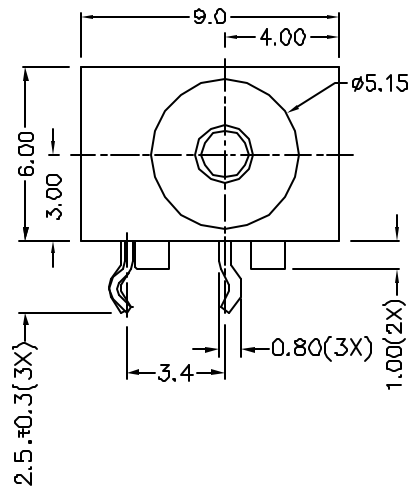
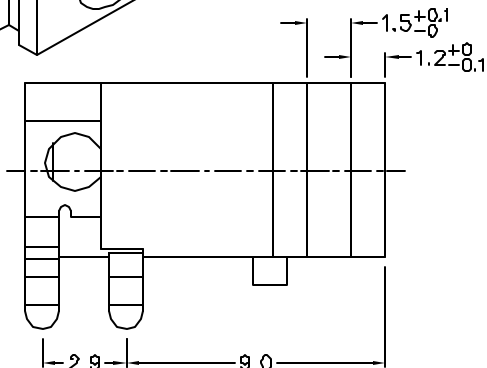
B

A



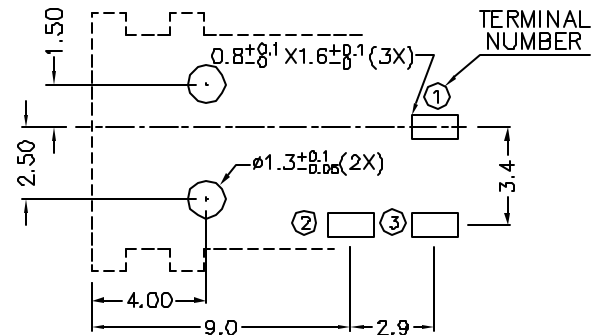
RoHS
Compliant

ZONE	SYMBOL	REVISION	APPROVAL	DATE

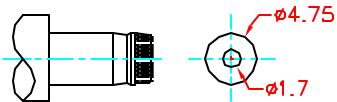


* MATERIAL

- TERMINAL 1 : BRASS
- TERMINAL 2 : COPPER ALLOY
- TERMINAL 3 : BRASS
- HOUSING : PA66



PCB LAYOUT
(BOTTOM VIEW)



DC MATE PLUG

MODEL NO.	HDC-602H-2
SCHEMATIC	
CENTER PIN	ø1.65mm

HUAI YANG CO.,LTD. 淮洋有限公司 TEL:886-2-8261-0858

DESIGN	T.Y.LI	DATE	2-2-2004	SCALE	4:1
DRAWING	L.L.ZHANG	DATE	31-3-2007	MATERIAL	*
CHECK		DATE		DWG. NO.	TZ\DC026H-2-PA66/A
APPROVAL		DATE		SHEET	

PART NAME	HIGH CURRENT DC POWER SOCKET	TOLERANCE UNLESS	0.0±0.2	UNIT:	mm
PART NO.	HDC-602H-2	OTHERWISE SPECIFIED:	0.00±0.1 0.000±0.05		

F

E

D

C

B

A

DCF-04/A