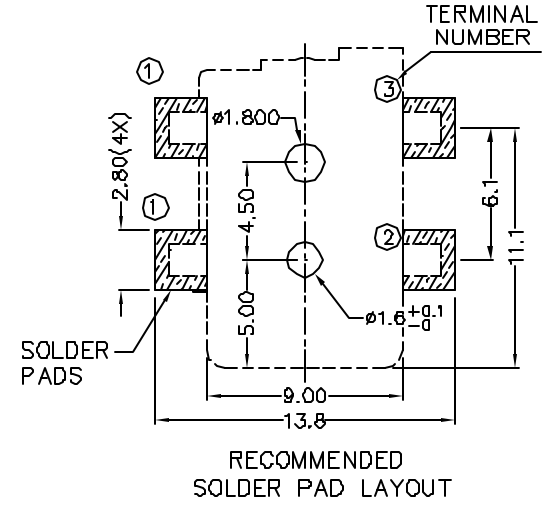
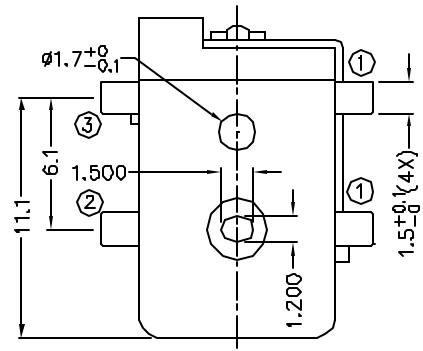
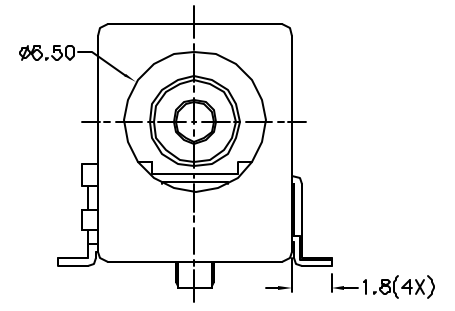
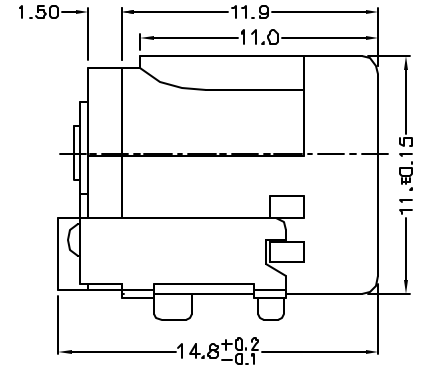
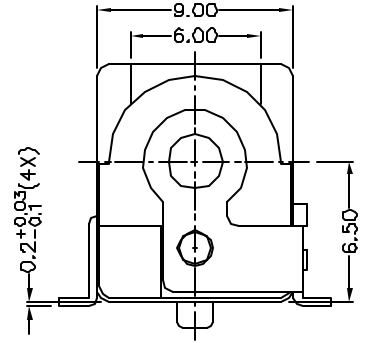
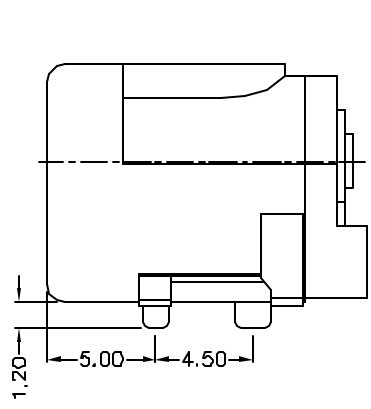
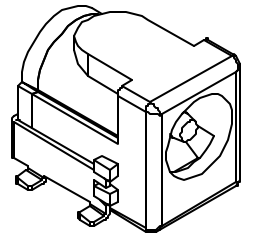


RoHS
Compliant

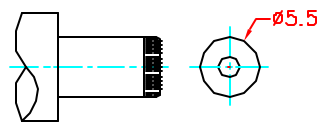
ZONE	SYMBOL	REVISION	APPROVAL	DATE
		CENTRE PIN MATERIAL CHANGED TO COPPER	J.X.KUANG	30-10-2007



***MATERIAL:**

- CENTRE PIN: COPPER
- TERMINAL 1: BRASS
- TERMINAL 2: COPPER ALLOY
- TERMINAL 3: BRASS
- COVER : PA6T
- HOUSING : PA6T

MODEL NO.	HDC-601H
SCHMATIC	
CENTER PIN	Ø2mm
	Ø2.5mm



DC MATE PLUG

HUAI YANG CO.,LTD. 淮洋有限公司 TEL:886-2-8261-0858

PART NAME	HIGH CURRENT SMD DC POWER SOCKET	TOLERANCE UNLESS	0.0±0.2	UNIT:		DESIGN	K.Y.AU-YEUNG	DATE	9-10-2003	SCALE	3:1
PART NO.	HDC-601H	OTHERWISE SPECIFIED:	0.00±0.1 0.000±0.05	mm		DRAWING	L.L.ZHANG	DATE	30-10-2007	MATERIAL	*
					CHECK		DATE		DWG. NO.	TZ\DC016H-PA6T/G	
					APPROVAL		DATE		SHEET		

1

2

3

4

1

2

3

4