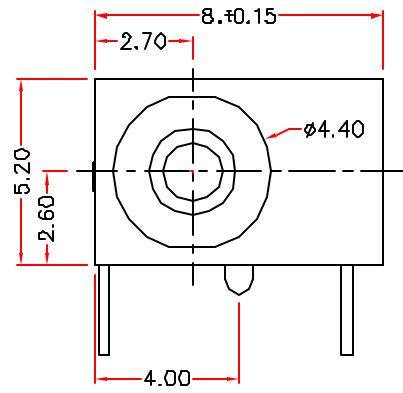
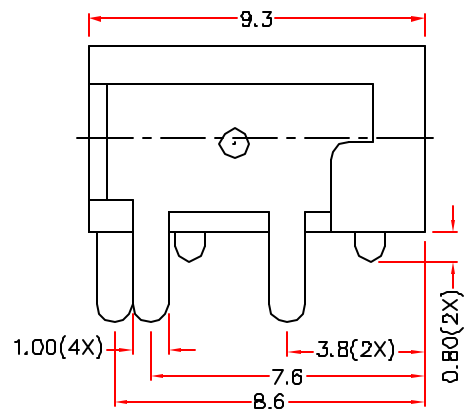
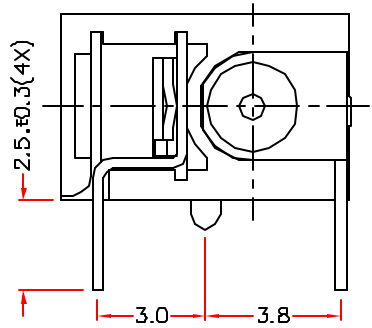
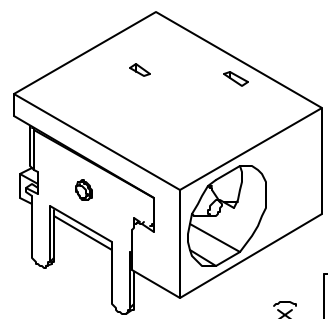


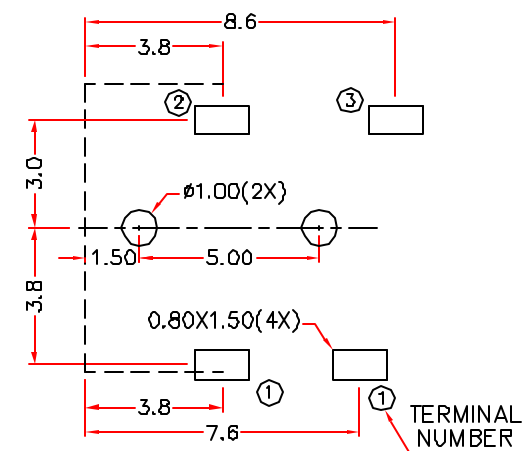
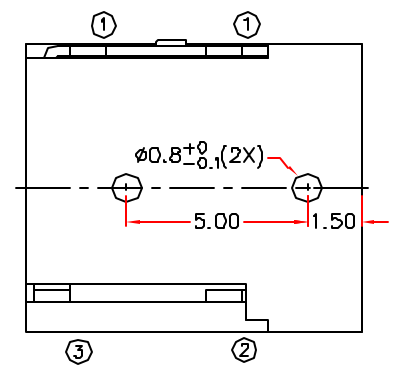
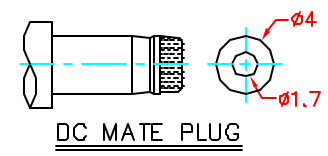
RoHS
Compliant

ZONE	SYMBOL	REVISION	APPROVAL	DATE



MODEL NO.	HDC-505H
SCHEMATIC	
CENTER PIN	φ1.65mm

- * MATERIAL:
- CENTRE PIN : COPPER
 - TERMINAL 1 : BRASS
 - TERMINAL 2 : COPPER ALLOY
 - TERMINAL 3 : BRASS
 - HOUSING : PA66



HUAI YANG CO.,LTD. 淮洋有限公司 TEL:886-2-8261-0858

DESIGN	J.JIANG	DATE	21-9-2004	SCALE	5:1
DRAWING	T.Y.LI	DATE	18-12-2006	MATERIAL	*
CHECK		DATE		DWG. NO.	TZ/DC055H-PA66/A
APPROVAL		DATE		SHEET	

PART NAME	HIGH CURRENT DC POWER SOCKET	TOLERANCE UNLESS	0.0±0.2	UNIT:	
PART NO.	HDC-505H	OTHERWISE SPECIFIED:	0.00±0.1 0.000±0.05	mm	