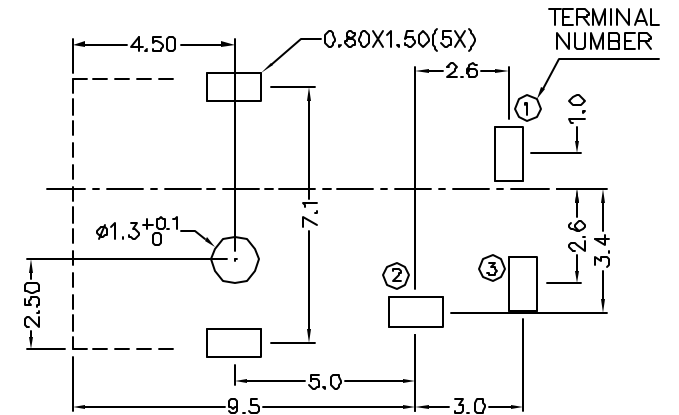
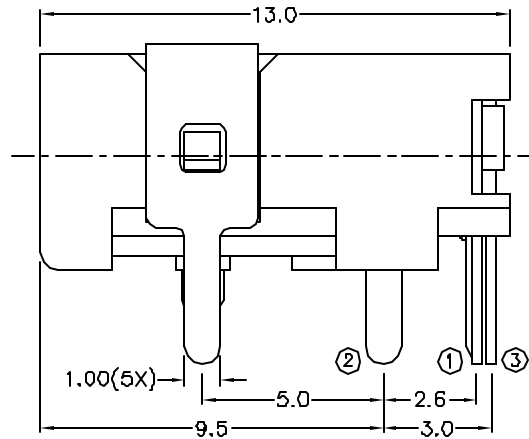
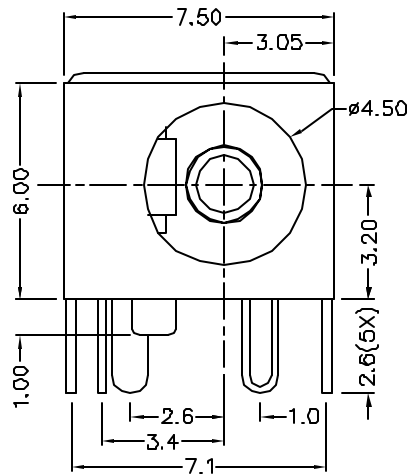


RoHS
Compliant

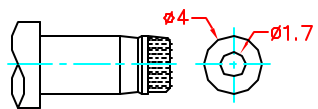
ZONE	SYMBOL	REVISION	APPROVAL	DATE



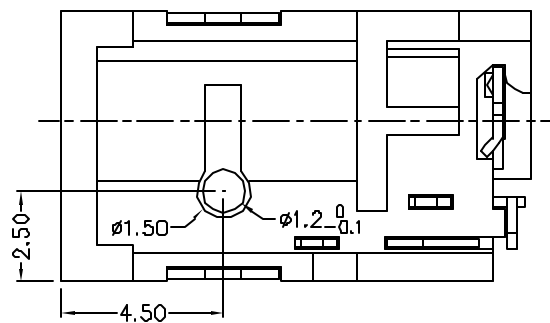
PCB LAYOUT
(BOTTOM VIEW)

* MATERIAL

TERMINAL 1 : BRASS
 TERMINAL 2 : COPPER ALLOY
 TERMINAL 3 : BRASS
 SHIELD : BRASS
 HOUSING : PBT



DC MATE PLUG



MODEL NO.	HDC-503HS
SCHEMATIC	$\phi 1$ 3 2
CENTER PIN	$\phi 1.65\text{mm}$

HUAI YANG CO.,LTD. 淮洋有限公司 TEL:886-2-8261-0858

DESIGN	J.X.KUANG	DATE	10-10-2003	SCALE	5:1
DRAWING	L.L.ZHANG	DATE	27-11-2006	MATERIAL	*
CHECK		DATE		DWG. NO.	TZ\DC035HS-PBT/A
APPROVAL		DATE		SHEET	

PART NAME	HIGH CURRENT DC POWER SOCKET	TOLERANCE UNLESS	0.0 \pm 0.2	UNIT:	
PART NO.	HDC-503HS	OTHERWISE SPECIFIED:	0.00 \pm 0.1 0.000 \pm 0.05	mm	