

F

E

D

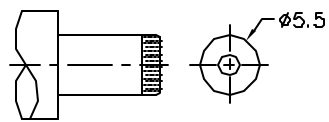
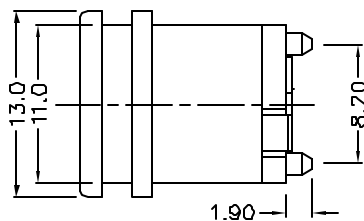
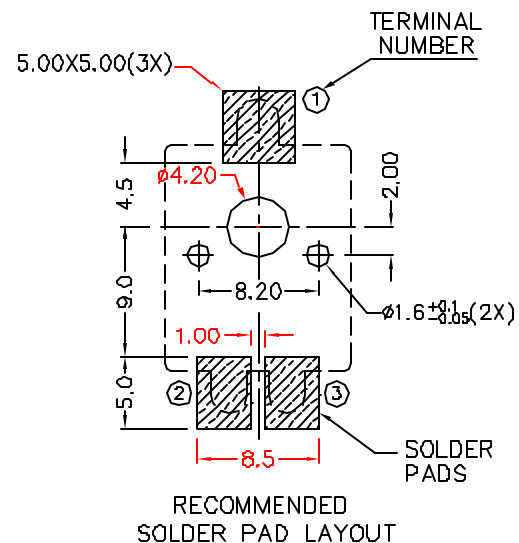
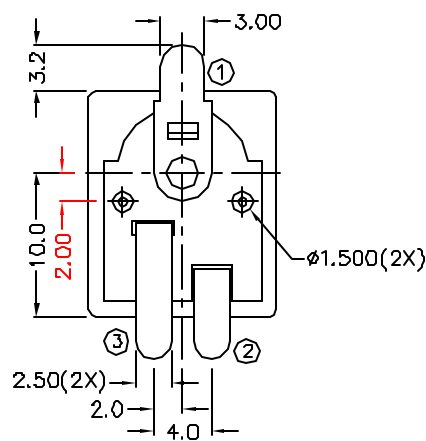
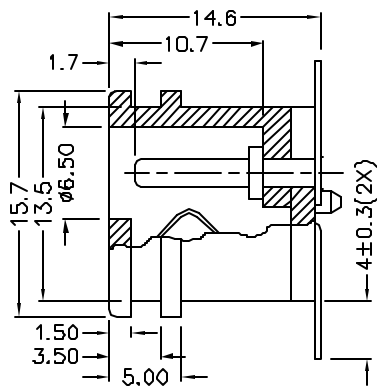
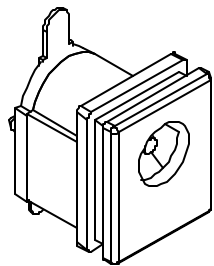
C

B

A

ZONE	SYMBOL	REVISION	APPROVAL	DATE

RoHS
Compliant



DC MATE PLUG

MODEL NO.	HDC-502H
SCHEMATIC	1, 2, 3
CENTER PIN	$\phi 2mm$
	$\phi 2.5mm$

* MATERIAL

CENTRE PIN : COPPER
 TERMINAL 1 : BRASS
 TERMINAL 2 : COPPER ALLOY
 TERMINAL 3 : BRASS
 HOUSING : PA6T
 COVER : PA6T

HUAI YANG CO.,LTD. 淮洋有限公司 TEL:886-2-8261-0858

DESIGN	L.L.ZHANG	DATE	14-10-2005	SCALE	2:1
DRAWING	T.Y.LI	DATE	28-6-2006	MATERIAL	*
CHECK		DATE		DWG. NO.	TZ\DC025H-PA6T/A
APPROVAL		DATE		SHEET	

PART NAME	HIGH CURRENT SMD DC POWER SOCKET	TOLERANCE UNLESS	0.0±0.2	UNIT:
PART NO.	HDC-502H	OTHERWISE SPECIFIED:	0.00±0.1 0.000±0.05	

F

E

D

C

B

A

DCF-04/A