

F

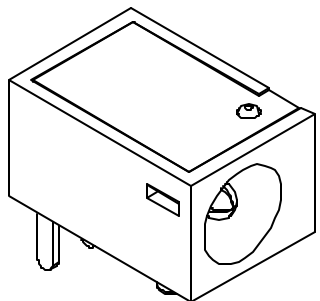
E

D

C

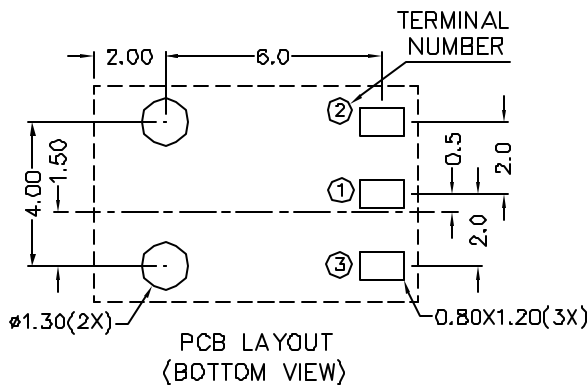
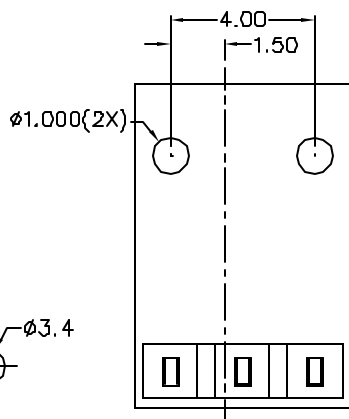
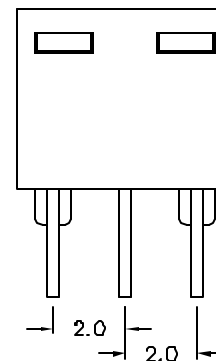
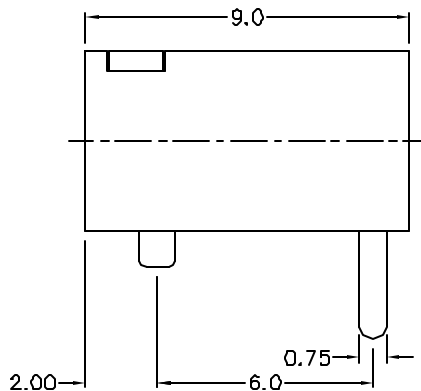
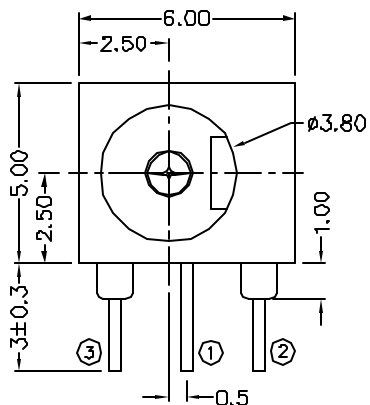
B

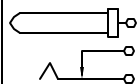
A



RoHS
Compliant

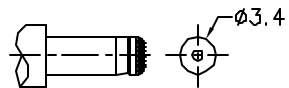
ZONE	SYMBOL	REVISION	APPROVAL	DATE
		ADD MATE PLUG	J.X.KUANG	27-6-2006



MODEL NO.	HDC-501H
SCHEMATIC	
CENTER PIN	ø1mm
	ø1.3mm

*** MATERIAL**


TERMINAL 1 : BRASS
 TERMINAL 2 : COPPER ALLOY
 TERMINAL 3 : BRASS
 HOUSING : PA66
 COVER : PA66



DC MATE PLUG

HUAI YANG CO.,LTD. 淮洋有限公司 TEL:886-2-8261-0858

DESIGN	T.Y.LI	DATE	13-6-2005	SCALE	5:1
DRAWING	T.Y.LI	DATE	27-6-2006	MATERIAL	*
CHECK		DATE		DWG. NO.	TZ\DC015H-PA66/C
APPROVAL		DATE		SHEET	

PART NAME	HIGH CURRENT DC POWER SOCKET	TOLERANCE UNLESS	0.0±0.2	UNIT:	
PART NO.	HDC-501H	OTHERWISE SPECIFIED:	0.00±0.1 0.000±0.05	mm	

F

E

D

C

B

A

DCF-04/A