

F

E

D

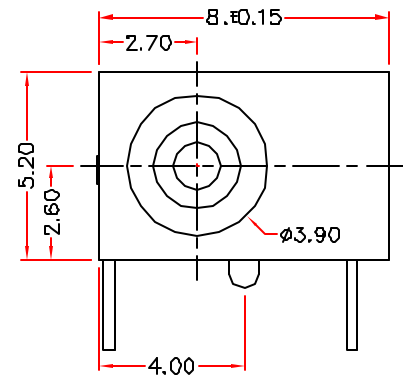
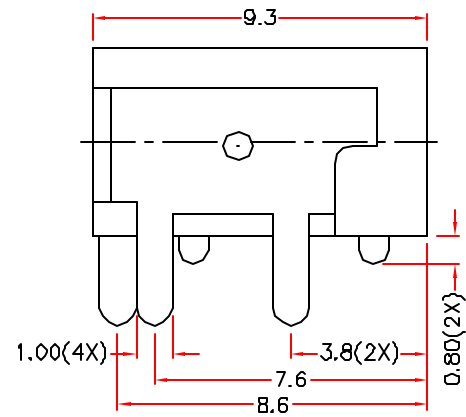
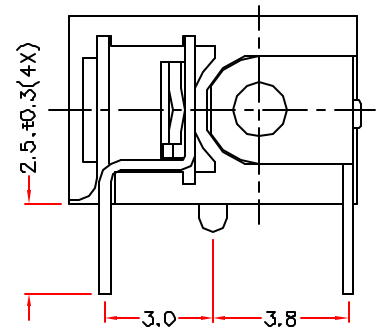
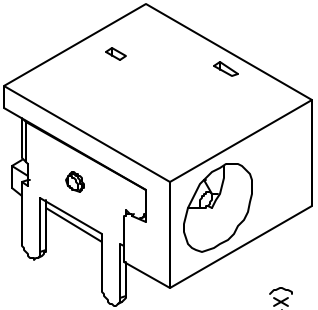
C

B

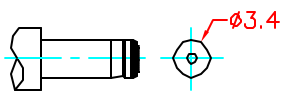
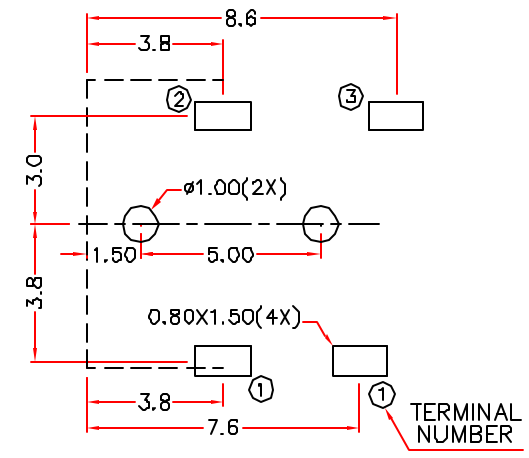
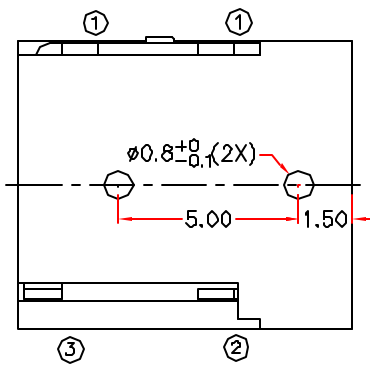
A

RoHS Compliant

ZONE	SYMBOL	REVISION	APPROVAL	DATE
		ADD MATE PLUG	J.X.KUANG	30-9-2006



MODEL NO.	HDC-405H
SCHEMATIC	
CENTER PIN	φ1mm φ1.3mm



* MATERIAL:
 CENTRE PIN : COPPER
 TERMINAL 1 : BRASS
 TERMINAL 2 : COPPER ALLOY
 TERMINAL 3 : BRASS
 HOUSING : PA66

DC MATE PLUG

PCB LAYOUT (BOTTOM VIEW)

TERMINAL NUMBER

HUAI YANG CO.,LTD. 淮洋有限公司 TEL:886-2-8261-0858

DESIGN	L.L.ZHANG	DATE	7-4-2005	SCALE	5:1
DRAWING	L.L.ZHANG	DATE	30-9-2006	MATERIAL	*
CHECK		DATE		DWG. NO.	TZ\DCD54H-PA66/D
APPROVAL		DATE		SHEET	

PART NAME	HIGH CURRENT DC POWER SOCKET	TOLERANCE UNLESS	0.0±0.2 0.00±0.1	UNIT:	
PART NO.	HDC-405H	OTHERWISE SPECIFIED:	0.000±0.05		

F

E

D

C

B

A

DCF-04/A