

F

E

D

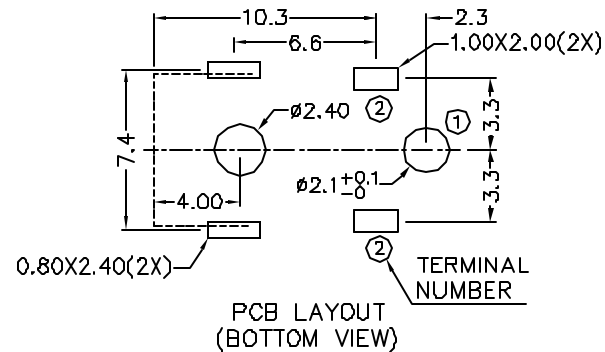
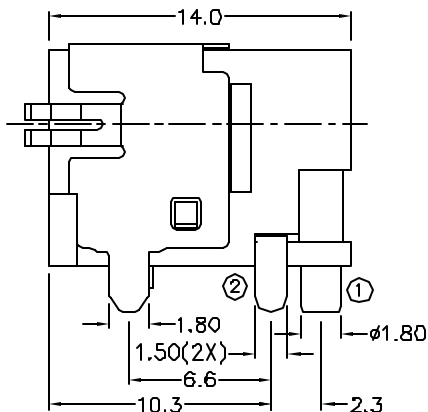
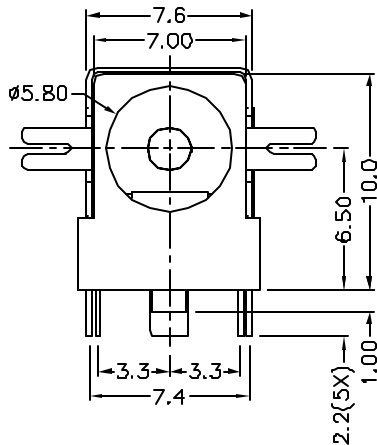
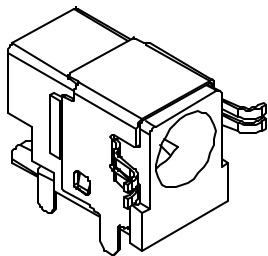
C

B

A

RoHS
Compliant

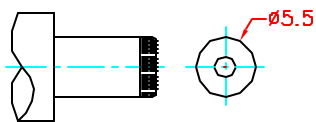
ZONE	SYMBOL	REVISION	APPROVAL	DATE
		ADD MATE PLUG	J.X.KUANG	12-7-2006



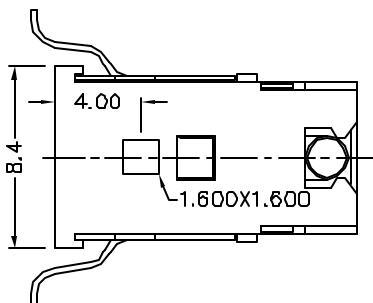
* MATERIAL

TERMINAL 1 : BRASS
 TERMINAL 2 : COPPER ALLOY
 SHIELD : COPPER ALLOY
 HOUSING : PBT

MODEL NO.	HDC-404HS-1
SCHEMATIC	
CENTER PIN	ø2mm
	ø2.5mm



DC MATE PLUG



HUAI YANG CO.,LTD. 淮洋有限公司 TEL:886-2-8261-0858

DESIGN	L.L.ZHANG	DATE	24-04-2005	SCALE	3:1
DRAWING	T.Y.LI	DATE	12-7-2006	MATERIAL	*
CHECK		DATE		DWG. NO.	TZ\DC044HS-1-PBT/B
APPROVAL		DATE		SHEET	

PART NAME	HIGH CURRENT DC POWER SOCKET	TOLERANCE UNLESS	0.0±0.2	UNIT:
PART NO.	HDC-404HS-1	OTHERWISE SPECIFIED:	0.00±0.1 0.000±0.05	

F

E

D

C

B

A

DCF-04/A