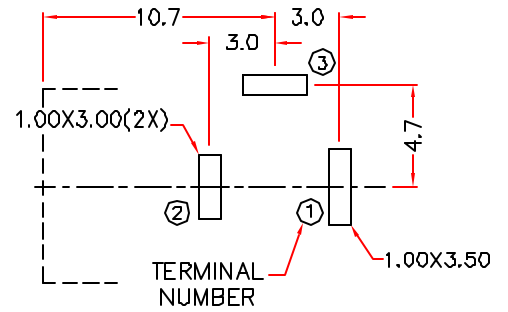
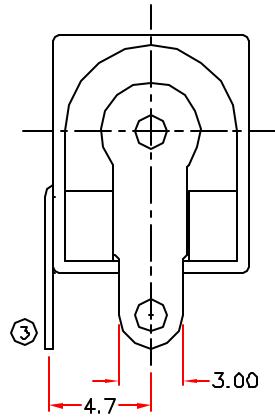
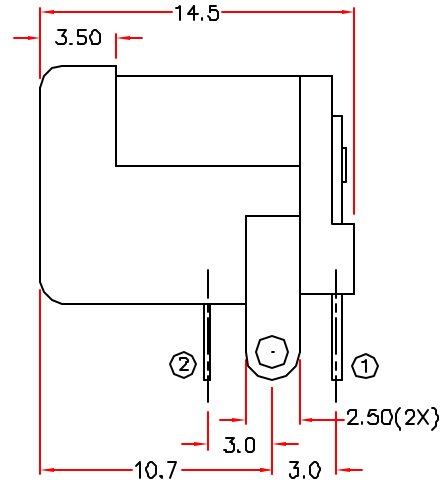
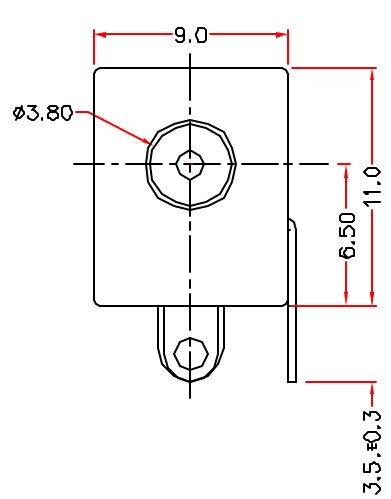
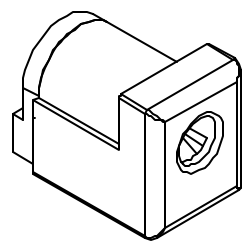
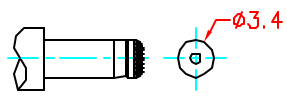


ZONE	SYMBOL	REVISION	APPROVAL	DATE
		ADD MATE PLUG	J.X.KUANG	25-9-2006

RoHS
Compliant



PCB LAYOUT
(BOTTOM VIEW)



DC MATE PLUG

MODEL NO.	HDC-401H-1
SCHEMATIC	
CENTER PIN	∅1mm
	∅1.3mm

* MATERIAL

- CENTRE PIN : COPPER
- TERMINAL 1 : BRASS
- TERMINAL 2 : COPPER ALLOY
- TERMINAL 3 : BRASS
- HOUSING : PBT
- COVER : PBT

HUAI YANG CO.,LTD. 淮洋有限公司 TEL:886-2-8261-0858

DESIGN	J.X.KUANG	DATE	7-1-2005	SCALE	3:1
DRAWING	L.L.ZHANG	DATE	25-9-2006	MATERIAL	*
CHECK		DATE		DWG. NO.	TZ\DC014H-1-PBT/B
APPROVAL		DATE		SHEET	

PART NAME	HIGH CURRENT DC POWER SOCKET	TOLERANCE UNLESS	0.0±0.2	UNIT:
PART NO.	HDC-401H-1	OTHERWISE SPECIFIED:	0.00±0.1 0.000±0.05	