

F

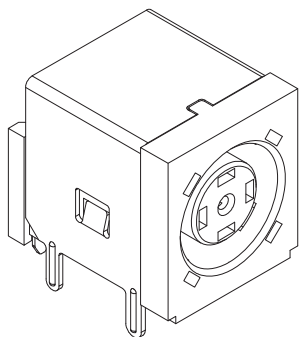
E

D

C

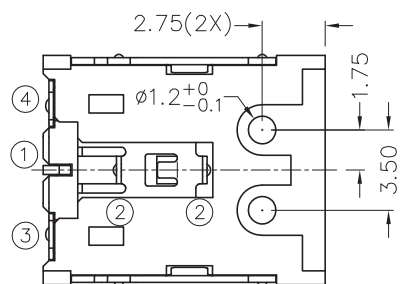
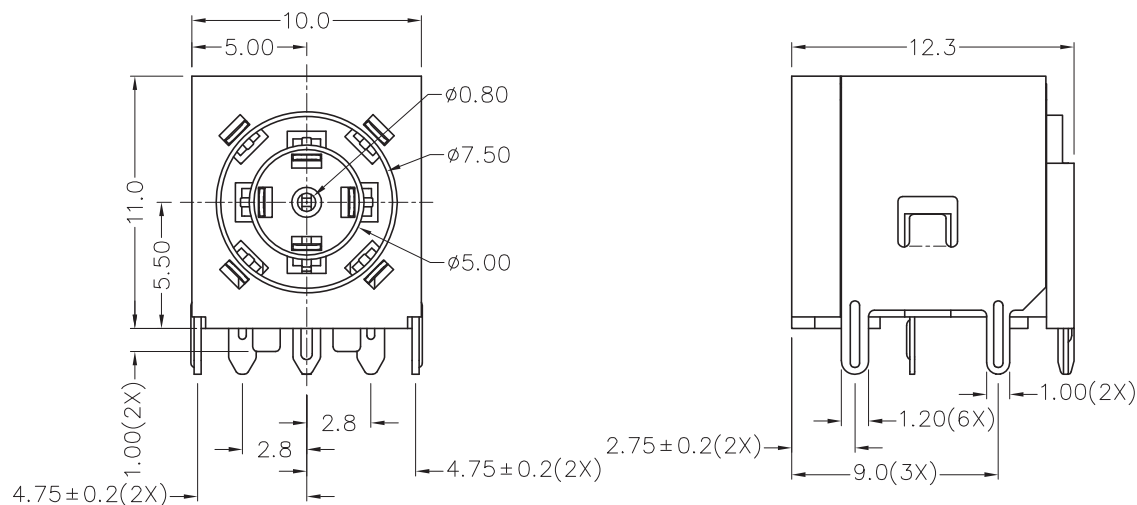
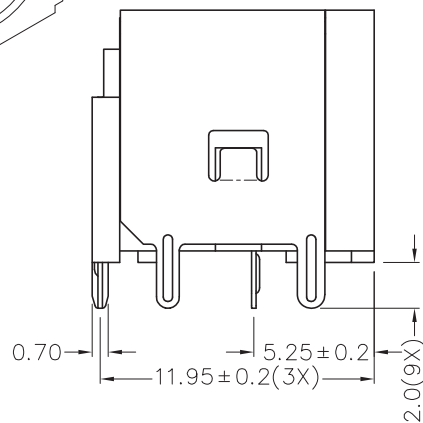
B

A



RoHS
Compliant

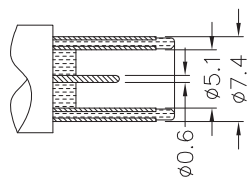
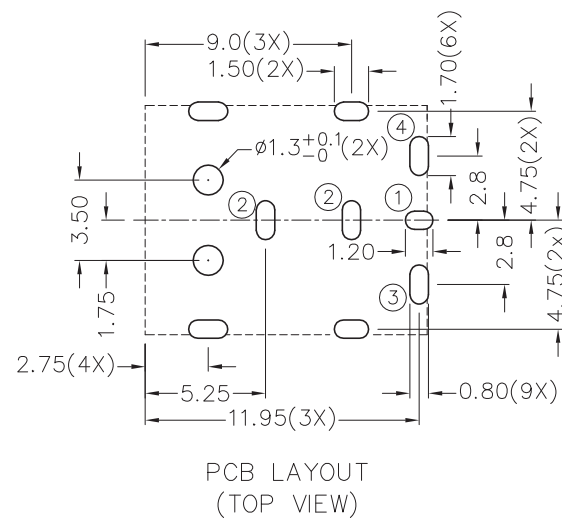
ZONE	SYMBOL	REVISION	APPROVAL	DATE



* MATERIAL

TERMINAL 1 : COPPER ALLOY
 TERMINAL 2 : COPPER ALLOY
 TERMINAL 3 : COPPER ALLOY
 TERMINAL 4 : COPPER ALLOY
 SPRING : STAINLESS STEEL
 SHIELD : BRASS
 HOUSING : PA6T

MODEL NO.	HDC-309HS
SCHEMATIC	4 (V+)
	3
	1 (S)
	2 (V-)



DC MATE PLUG

淮洋有限公司 HUAI YANG CO., LTD. www.hy1688.com.tw

PART NAME	HIGH CURRENT DC POWER SOCKET	TOLERANCE UNLESS	0.0±0.2	UNIT:	
PART NO.	HDC-309HS	OTHERWISE SPECIFIED:	0.00±0.1 0.000±0.05	mm	

DESIGN	J.CHEN	DATE	7-1-2011	SCALE	3:1
DRAWING	J.CHEN	DATE	7-1-2011	MATERIAL	*
CHECK		DATE		DWG. NO.	HDC309HS-PA6T/A
APPROVAL		DATE		SHEET	

F

E

D

C

B

A