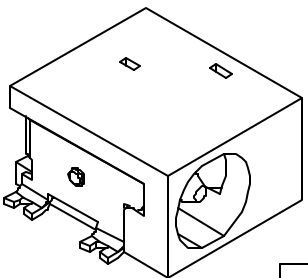
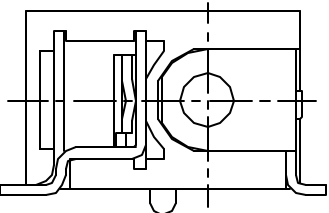


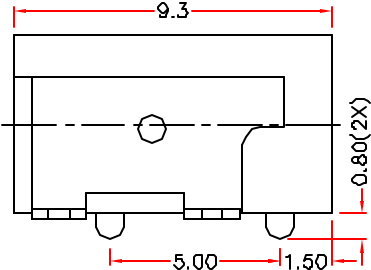
| | | | | |
|----|---|-------------------------------------|-----------|-----------|
| | | MODIFIED PIN ONE | J.X.KUANG | 29-7-2005 |
| D3 | Ⓐ | ∅0.800(2X) MODIFIED TO ∅0.8±0.1(2X) | S.T.CHU | 1-4-2004 |
| | | REVISION | APPROVAL | DATE |
| | | ADD MATE PLUG | J.X.KUANG | 29-9-2006 |
| | | | | |

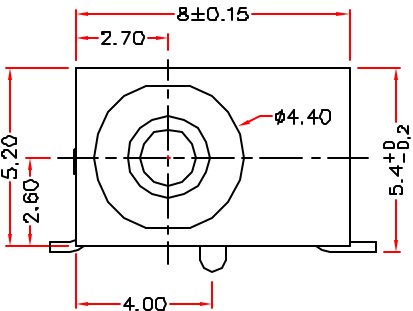
F
E
D
C
B
A

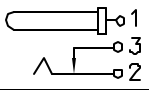


RoHS
Compliant







| | |
|------------|---|
| MODEL NO. | HDC-303H |
| SCHEMATIC |  |
| CENTER PIN | ∅1.65mm |

*** MATERIAL:**

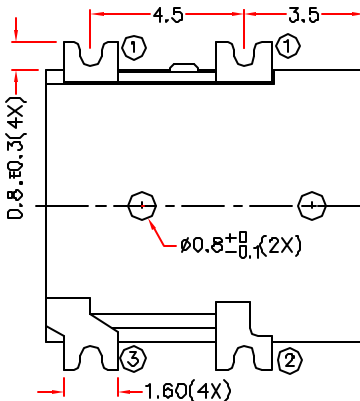
CENTRE PIN : COPPER

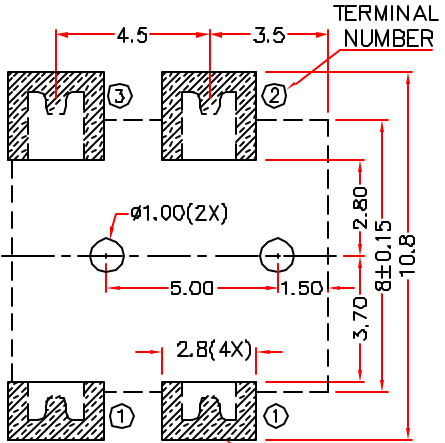
TERMINAL 1 : BRASS

TERMINAL 2 : COPPER ALLOY

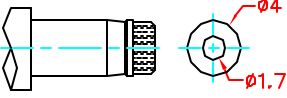
TERMINAL 3 : BRASS

HOUSING : PA6T



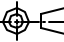


RECOMMENDED
SOLDER PAD LAYOUT



DC MATE PLUG

HUAI YANG CO.,LTD. 淮洋有限公司 TEL:886-2-8261-0858

| | | | | | |
|-----------|----------------------------------|----------------------|------------------------|-------|---|
| PART NAME | HIGH CURRENT SMD DC POWER SOCKET | TOLERANCE UNLESS | 0.0±0.2 | UNIT: | |
| PART NO. | HDC-303H | OTHERWISE SPECIFIED: | 0.00±0.1 0.000±0.05 | mm |  |

| | | | | | |
|----------|-----------|------|-----------|----------|------------------|
| DESIGN | L.L.ZHANG | DATE | 29-7-2005 | SCALE | 5:1 |
| DRAWING | L.L.ZHANG | DATE | 29-9-2006 | MATERIAL | * |
| CHECK | | DATE | | DWG. NO. | TZ\DC033H-PA6T/D |
| APPROVAL | | DATE | | SHEET | |

F
E
D
C
B
A DCF-04/A