

F

E

D

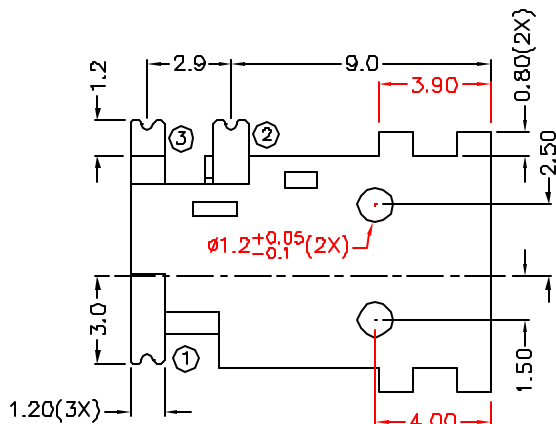
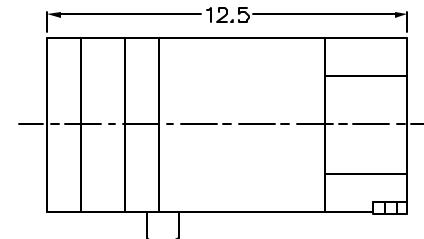
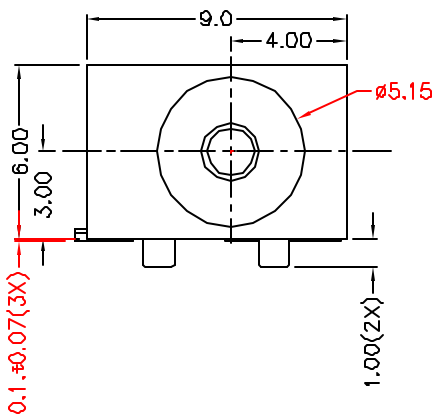
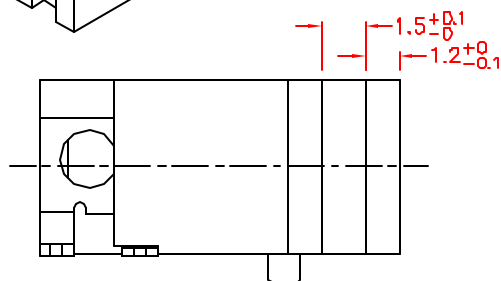
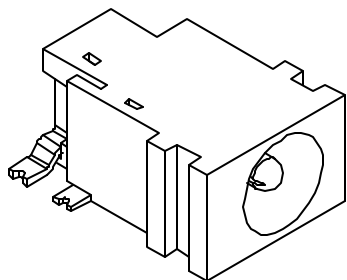
C

B

A

ZONE	SYMBOL	REVISION	APPROVAL	DATE
		ADD RoHS Compliant	J.X.KUANG	8-7-2006

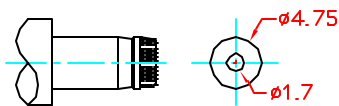
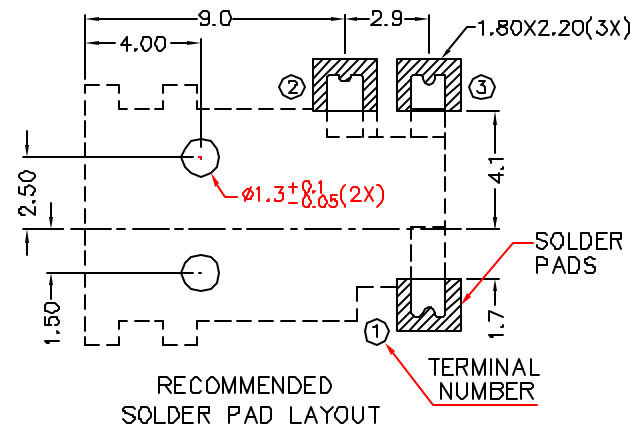
**RoHS**  
Compliant



**\* MATERIAL**

- TERMINAL 1 : BRASS
- TERMINAL 2 : COPPER ALLOY
- TERMINAL 3 : BRASS
- HOUSING : PA6T

MODEL NO.	HDC-302H
SCHMATIC	1 3 2
CENTER PIN	ø1.65mm



**DC MATE PLUG**

**HUAI YANG CO.,LTD. 淮洋有限公司 TEL:886-2-8261-0858**

DESIGN	T.Y.LJ	DATE	10-10-2003	SCALE	4:1
DRAWING	T.Y.LJ	DATE	8-7-2006	MATERIAL	*
CHECK		DATE		DWG. NO.	TZ\DC023H-PA6T/B
APPROVAL		DATE		SHEET	

PART NAME	HIGH CURRENT SMD DC POWER SOCKET	TOLERANCE UNLESS	0.0±0.2	UNIT:	
PART NO.	HDC-302H	OTHERWISE SPECIFIED:	0.00±0.1 0.000±0.05	mm	

F

E

D

C

B

A DCF-04/A