

F

E

D

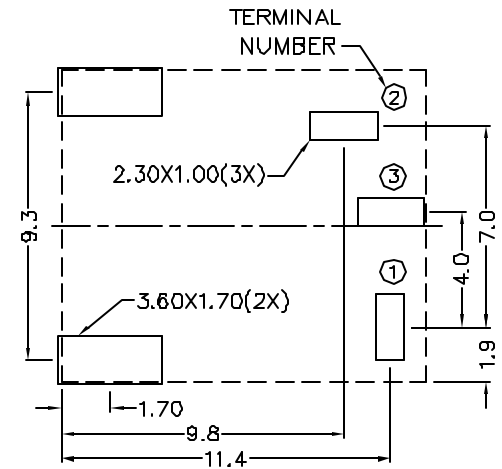
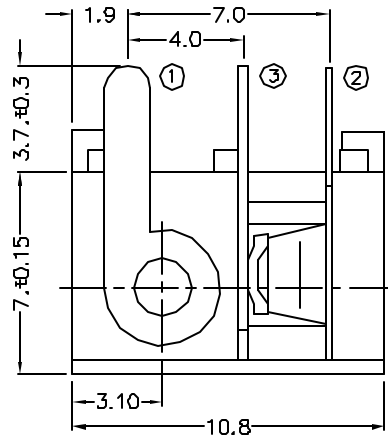
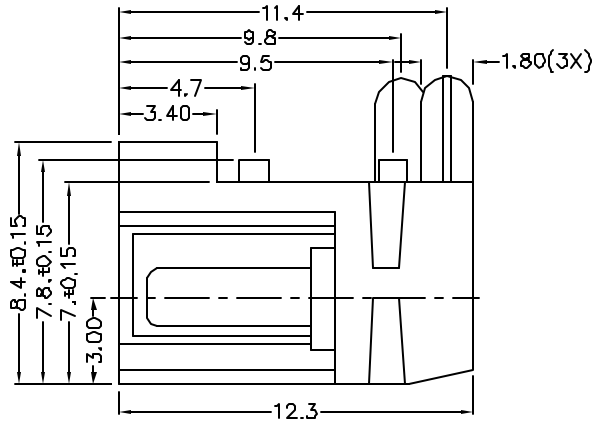
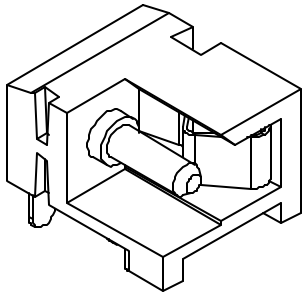
C

B

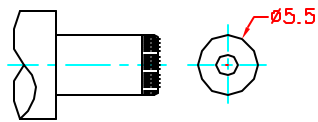
A

ZONE	SYMBOL	REVISION	APPROVAL	DATE
		ADD MATE PLUG	J.X.KUANG	20-9-2006

RoHS
Compliant



PCB LAYOUT
(BOTTOM VIEW)



DC MATE PLUG

MODEL NO.	HDC-300H
SCHEMATIC	1, 2, 3
CENTER PIN	ø2mm
	ø2.5mm

* MATERIAL

- CENTRE PIN : COPPER
- TERMINAL 1 : BRASS
- TERMINAL 2 : COPPER ALLOY
- TERMINAL 3 : BRASS
- HOUSING : PBT

HUAI YANG CO.,LTD. 淮洋有限公司 TEL:886-2-8261-0858

PART NAME	HIGH CURRENT DC POWER SOCKET	TOLERANCE UNLESS	0.0±0.2	UNIT:		DESIGN	T.Y.LI	DATE	12-2-2003	SCALE	4:1
PART NO.	HDC-300H	OTHERWISE SPECIFIED:	0.00±0.1	mm		DRAWING	L.L.ZHANG	DATE	20-9-2006	MATERIAL	*
			0.000±0.05			CHECK		DATE		DWG. NO.	TZ\DC003H-PBT/B
						APPROVAL		DATE		SHEET	

F

E

D

C

B

A

DCF-04/A