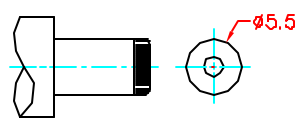
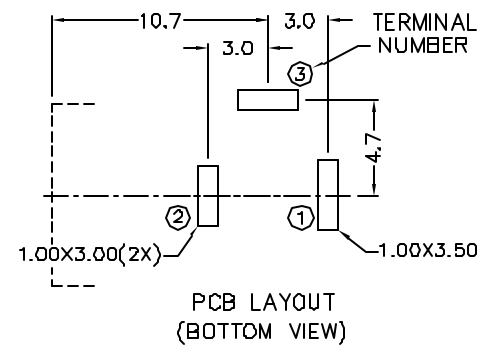
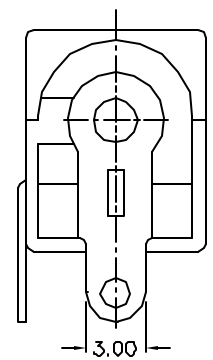
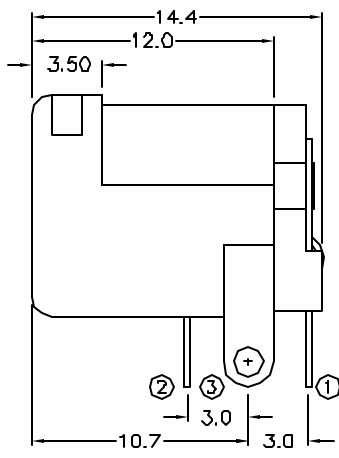
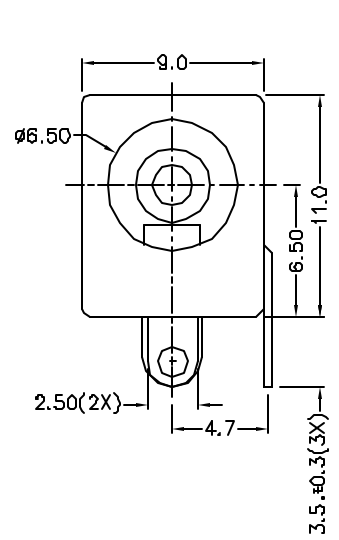
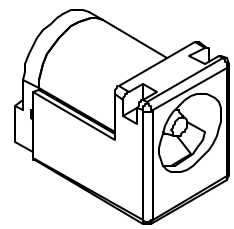


E3		ADD CENTER PIN ITEM	S.T.CHU	30-1-2004
ZONE	SYMBOL	REVISION	APPROVAL	DATE
		ADD RoHS	J.X.KUANG	19-9-2006

RoHS
Compliant



DC MATE PLUG

MODEL NO.	HDC-200H-1
SCHEMATIC	
CENTER PIN	Ø1.65mm
	Ø2mm
	Ø2.5mm

* MATERIAL
 CENTRE PIN : COPPER
 TERMINAL 1 : BRASS
 TERMINAL 2 : COPPER ALLOY
 TERMINAL 3 : BRASS
 HOUSING : PBT
 COVER : PBT

HUAI YANG CO.,LTD. 淮洋有限公司 TEL:886-2-8261-0858

DESIGN	T.Y.LI	DATE	30-1-2004	SCALE	3:1
DRAWING	L.L.ZHANG	DATE	19-9-2006	MATERIAL	*
CHECK		DATE		DWG. NO.	TZ\DC002H-1-PBT/D
APPROVAL		DATE		SHEET	

PART NAME	HIGH CURRENT DC POWER SOCKET	TOLERANCE UNLESS	0.0±0.2	UNIT	
PART NO.	HDC-200H-1	OTHERWISE SPECIFIED:	0.00±0.1 0.000±0.05	mm	