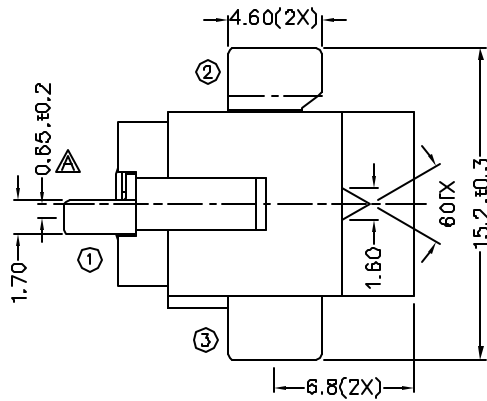
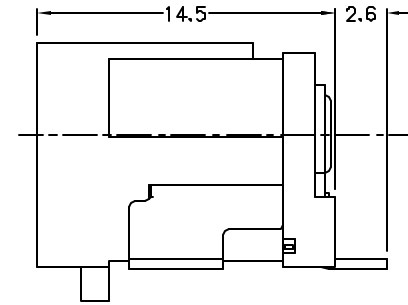
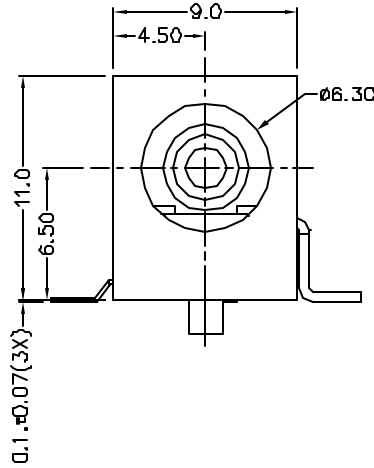
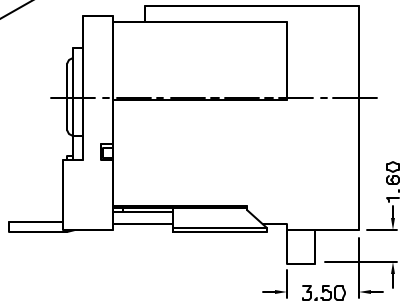
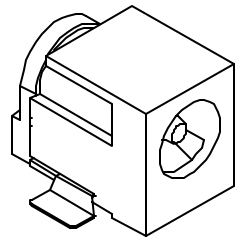


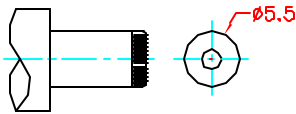
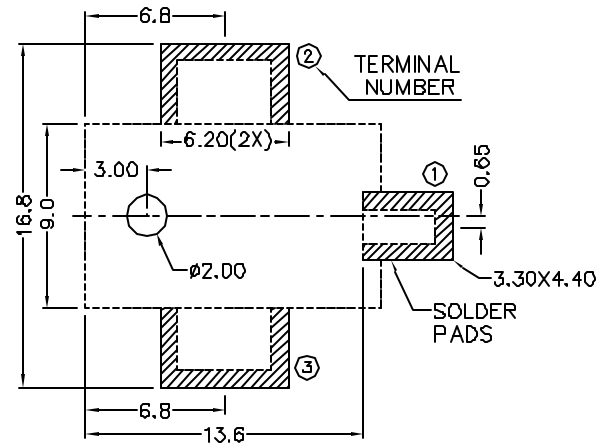
ZONE	SYMBOL	REVISION	APPROVAL	DATE
F3	▲	0.7 MODIFIED TO 0.65±0.2	J.X.KUANG	24-6-2008

RoHS
Compliant



*** MATERIAL**

- CENTRE PIN : COPPER
- TERMINAL 1 : BRASS
- TERMINAL 2 : COPPER ALLOY
- TERMINAL 3 : BRASS
- HOUSING : PA6T
- COVER : PA6T



DC MATE PLUG

MODEL NO.	HDC-106DH
SCHEMATIC	
CENTER PIN	Ø2mm
	Ø2.5mm

HUAI YANG CO.,LTD. 淮洋有限公司 TEL:886-2-8261-0858

DESIGN	T.Y.LI	DATE	5-7-2005	SCALE	3:1
DRAWING	L.L.ZHANG	DATE	24-6-2008	MATERIAL	*
CHECK		DATE		DWG. NO.	TZDC061DH-PA6T/C
APPROVAL		DATE		SHEET	

PART NAME	HIGH CURRENT SMD DC POWER SOCKET	TOLERANCE UNLESS	0.0±0.2	UNIT:	
PART NO.	HDC-106DH	OTHERWISE SPECIFIED:	0.00±0.1 0.000±0.05	mm	