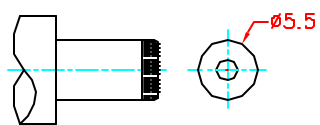
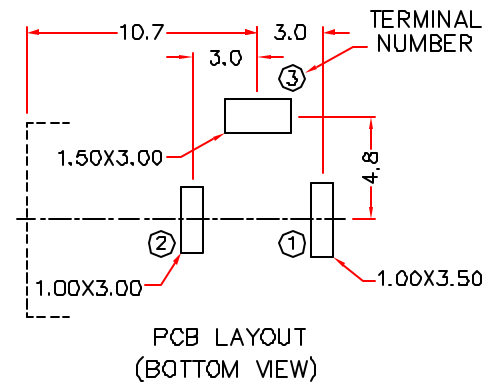
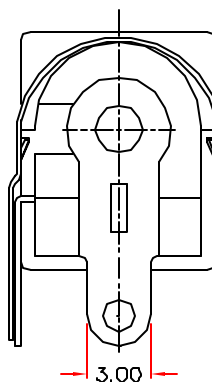
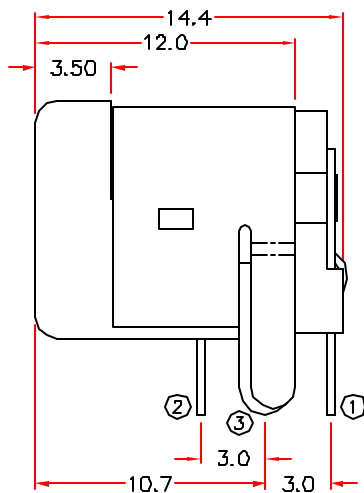
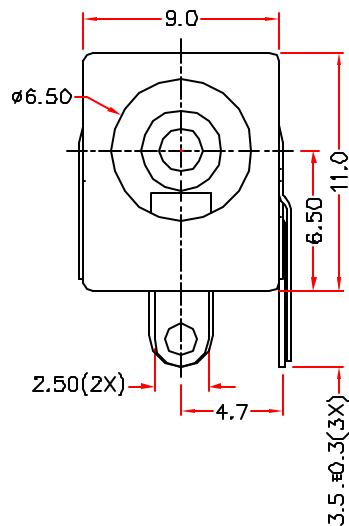
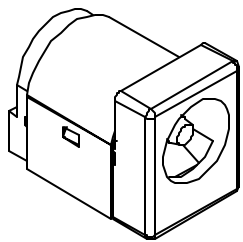


C		B	A	
ZONE	SYMBOL	REVISION	APPROVAL	DATE

RoHS  
Compliant



DC MATE PLUG

MODEL NO.	HDC-102HS-1
SCHEMATIC	
CENTER PIN	ø1.65mm
	ø2mm
	ø2.35mm
	ø2.5mm

\* MATERIAL

CENTRE PIN : COPPER  
 TERMINAL 1 : BRASS  
 TERMINAL 2 : COPPER ALLOY  
 TERMINAL 3 : BRASS  
 SHIELD : BRASS  
 HOUSING : PBT  
 COVER : PBT

HUAI YANG CO.,LTD. 淮洋有限公司 TEL:886-2-8261-0858

DESIGN	J.JIANG	DATE	4-1-2005	SCALE	3:1
DRAWING	T.Y.LI	DATE	10-4-2008	MATERIAL	*
CHECK		DATE		DWG. NO.	TZ\DC021HS-1-PBT/A
APPROVAL		DATE		SHEET	

PART NAME	HIGH CURRENT DC POWER SOCKET	TOLERANCE UNLESS	0.0±0.2	UNIT:	
PART NO.	HDC-102HS-1	OTHERWISE SPECIFIED:	0.00±0.1 0.000±0.05	mm	