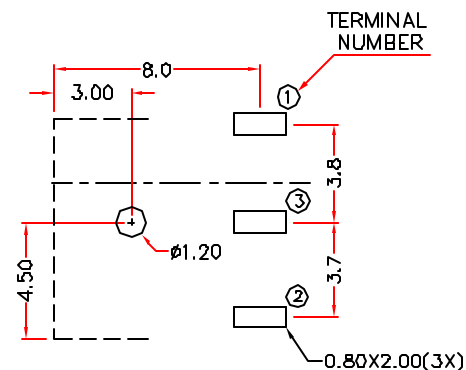
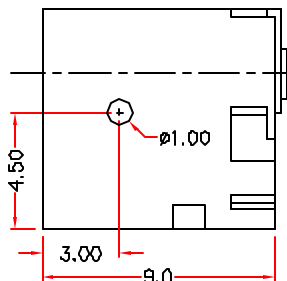
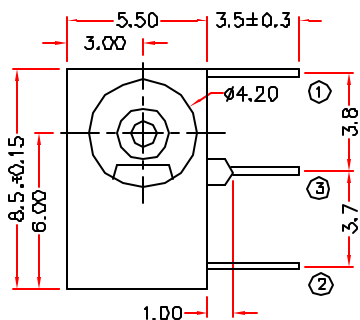
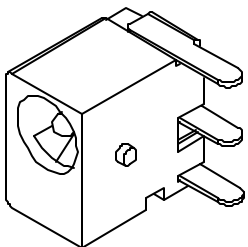
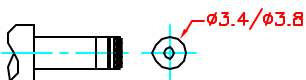


RoHS
Compliant

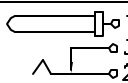
ZONE	SYMBOL	REVISION	APPROVAL	DATE
		ADD MATE PLUG	J.X.KUANG	22-9-2006



PCB LAYOUT
(BOTTOM VIEW)



DC MATE PLUG

MODEL NO.	HDC-101H
SCHEMATIC	
CENTER PIN	Ø1mm
	Ø1.3mm

* MATERIAL

CENTRE PIN : COPPER
 TERMINAL 1 : BRASS
 TERMINAL 2 : COPPER ALLOY
 TERMINAL 3 : BRASS
 HOUSING : PBT

HUAI YANG CO.,LTD. 淮洋有限公司 TEL:886-2-8261-0858

DESIGN	J.X.KUANG	DATE	9-10-2003	SCALE	4:1
DRAWING	L.L.ZHANG	DATE	22-9-2006	MATERIAL	*
CHECK		DATE		DWG. NO.	TZ\DC011H-PBT/B
APPROVAL		DATE		SHEET	

PART NAME	HIGH CURRENT DC POWER SOCKET	TOLERANCE UNLESS	0.0±0.2	UNIT:	mm
PART NO.	HDC-101H	OTHERWISE SPECIFIED:	0.00±0.1 0.00±0.05		

F E D C B A DCF-04/A