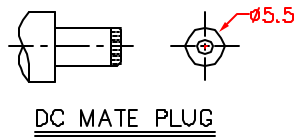
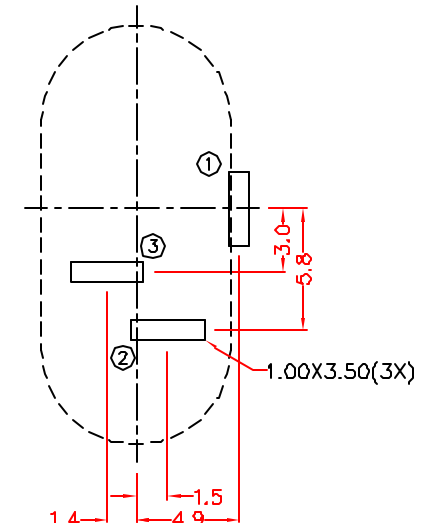
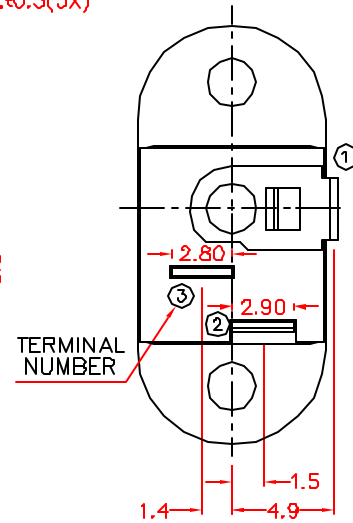
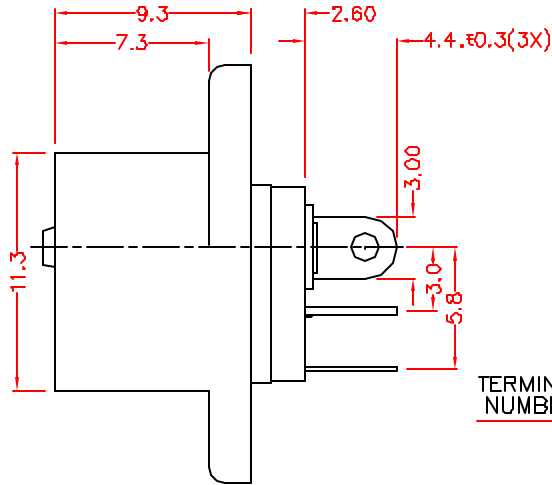
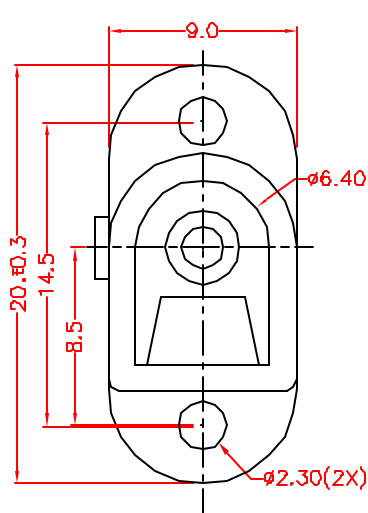
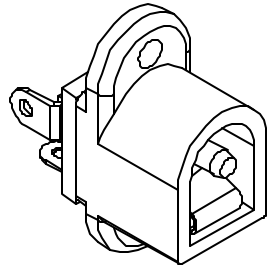


D3	Ⓐ	COPPER MODIFIED TO BRASS	Y.LLIU	7-4-2005
ZONE		SYMBOL	REVISION	APPROVAL
			ADD MATE PLUG	J.X.KUANG

RoHS
Compliant



MODEL NO.	HDC-100H
SCHEMATIC	
CENTER PIN	∅2mm
	∅2.5mm

* MATERIAL
 CENTRE PIN : COPPER
 TERMINAL 1 : BRASS
 TERMINAL 2 : COPPER ALLOY
 TERMINAL 3 : BRASS
 HOUSING : PBT
 COVER : PBT

SPECIFICATIONS

- 1 Insulation resistance of adjacent open terminals shall not be less than 50 Megohms when measured with 500 Volts resistance meter.
- 2 Connector shall withstand 500 Volts (RMS) between adjacent open terminal for one minute.
- 3 Contact resistance of normally closed terminals shall not exceed 0.03 ohms when measured at a current of one Ampere by Voltage drop method.
- 4 Connector shall withstand 5,000 cycles of insertions and withdrawal with testing plug , contact resistance shall not exceed 0.1 ohm.

HUAI YANG CO.,LTD. 淮洋有限公司 TEL:886-2-8261-0858

DESIGN	L.L.ZHANG	DATE	7-4-2005	SCALE	3:1
DRAWING	T.Y.LI	DATE	2-5-2006	MATERIAL	*
CHECK		DATE		DWG. NO.	TZ\DC001H-PBT/C
APPROVAL		DATE		SHEET	

PART NAME	HIGH CURRENT DC POWER SOCKET	TOLERANCE UNLESS	0.0±0.2	UNIT:	
PART NO.	HDC-100H	OTHERWISE SPECIFIED:	0.00±0.1 0.000±0.05	mm	

