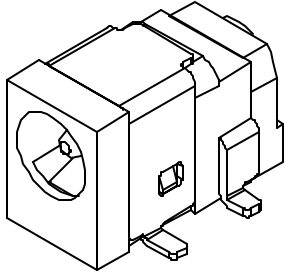
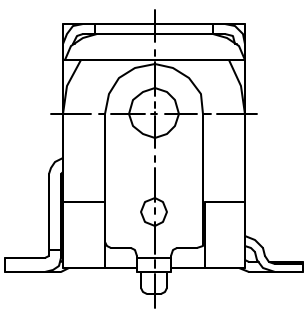
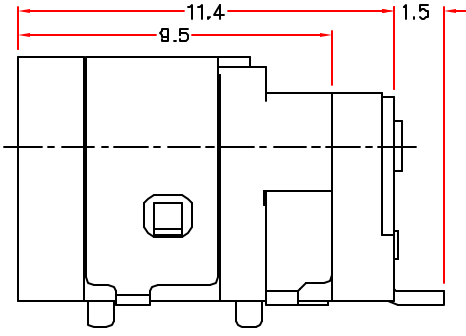
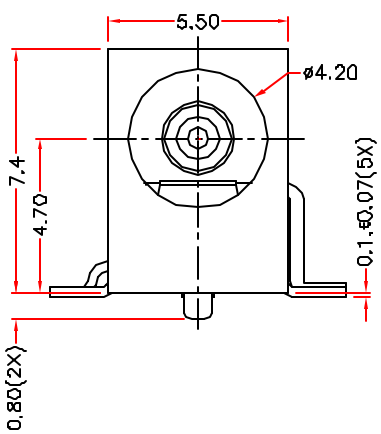


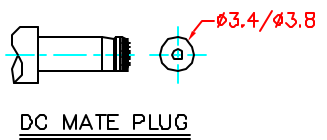
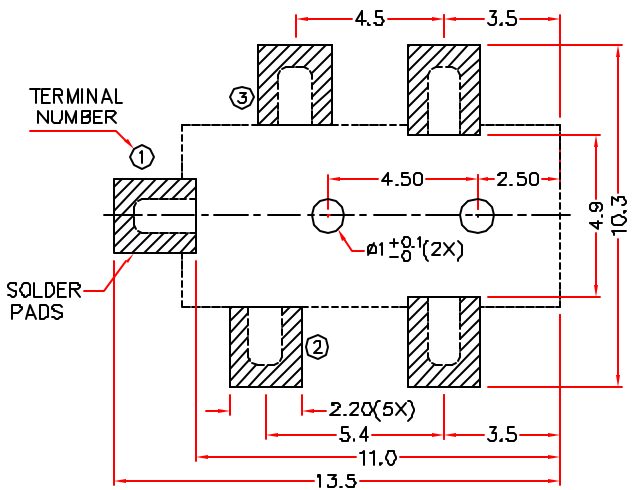
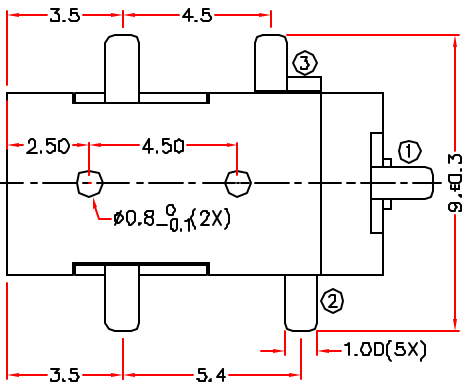
F E D C B A

ZONE	SYMBOL	REVISION	APPROVAL	DATE

RoHS  
Compliant



MODEL NO.	HDC-005DHS
SCHEMATIC	
CENTER PIN	ø1mm
	ø1.3mm



\* MATERIAL  
 CENTER PIN : COPPER  
 TERMINAL 1 : BRASS  
 TERMINAL 2 : COPPER ALLOY  
 TERMINAL 3 : BRASS  
 SHIELD : COLD ROLLED STEEL  
 HOUSING : PA6T  
 COVER : PA6T

HUAI YANG CO.,LTD. 淮洋有限公司 TEL:886-2-8261-0858

DESIGN	T.Y.LI	DATE	15-9-2003	SCALE	5:1
DRAWING	T.Y.LI	DATE	8-3-2007	MATERIAL	*
CHECK		DATE		DWG. NO.	TZDC050DHS-PA6T/A
APPROVAL		DATE		SHEET	

PART NAME	HIGH CURRENT SMD DC POWER SOCKET	TOLERANCE UNLESS	0.0±0.2	UNIT:	mm
PART NO.	HDC-005DHS	OTHERWISE SPECIFIED:	0.00±0.1 0.000±0.05		

F E D C B A DCF-04/A