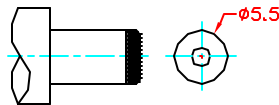
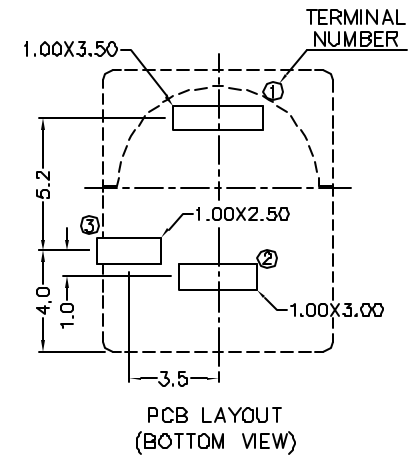
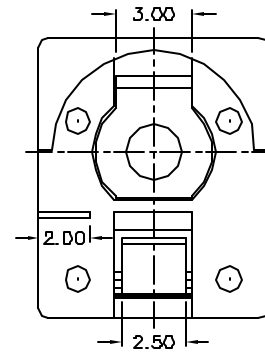
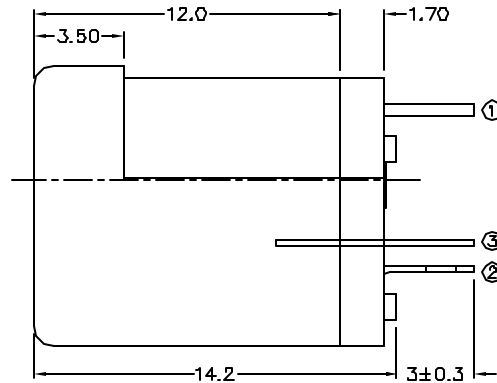
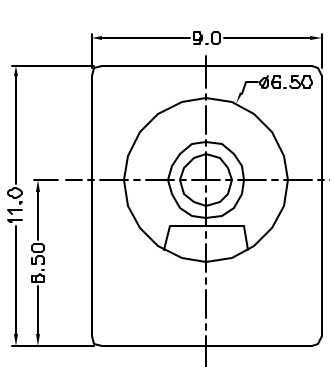
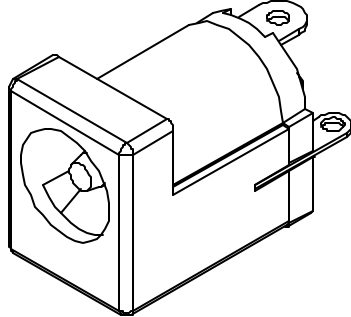


B3	Ⓐ	COPPER MODIFIED TO BRASS	Y.L.LIU	7-4-2005
D3	Ⓑ	CANCELLED P/N TDC-030HB	Y.L.LIU	7-4-2005
D3		14.3 MODIFIED TO 14.2	S.T.CHU	30-3-2004

ZONE	SYMBOL	REVISION	APPROVAL	DATE
		ADD MATE PLUG	J.X.KUANG	21-9-2006

RoHS
Compliant



DC MATE PLUG

MODEL NO.	HDC-003H
SCHEMATIC	
CENTER PIN	ø2mm
	ø2.5mm

* MATERIAL

CENTRE PIN : COPPER
 TERMINAL 1 : BRASS
 TERMINAL 2 : COPPER ALLOY
 TERMINAL 3 : BRASS
 HOUSING : PBT
 COVER : PBT

HUAI YANG CO.,LTD. 淮洋有限公司 TEL:886-2-8261-0858

DESIGN	L.L.ZHANG	DATE	7-4-2005	SCALE	4:1
DRAWING	T.Y.LI	DATE	21-9-2006	MATERIAL	*
CHECK		DATE		DWG. NO.	TZ\DC030H-PBT/D
APPROVAL		DATE		SHEET	

PART NAME	HIGH CURRENT DC POWER SOCKET	TOLERANCE UNLESS	0.0±0.2	UNIT:	
PART NO.	HDC-003H	OTHERWISE SPECIFIED:	0.00±0.1 0.000±0.05	mm	

F E D C B A DCF-04/A