

F

E

D

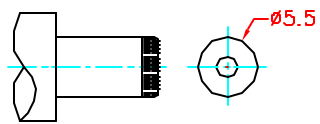
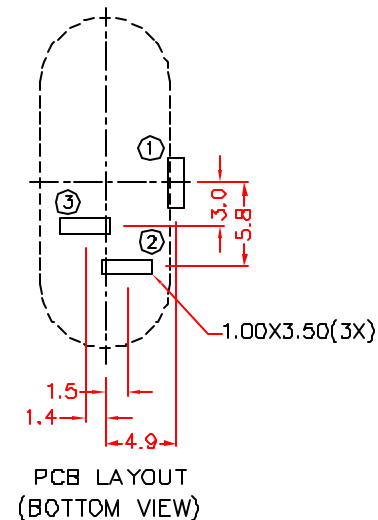
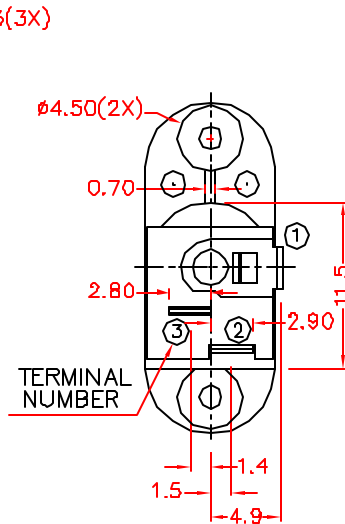
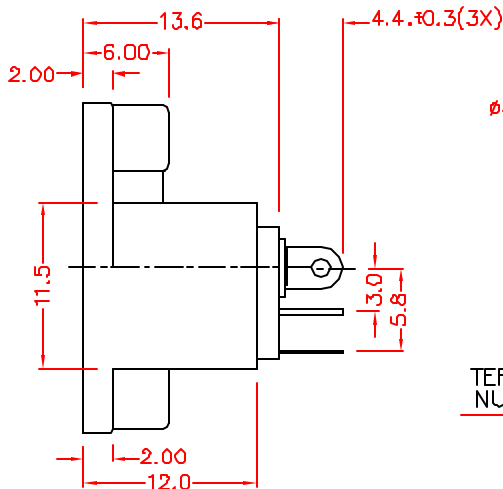
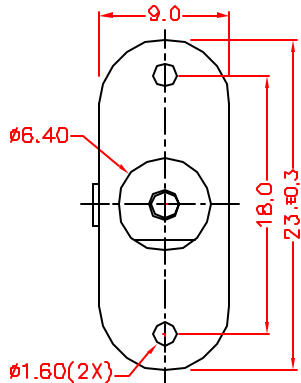
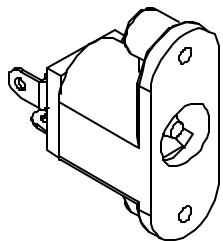
C

B

A

RoHS  
Compliant

ZONE	SYMBOL	REVISION	APPROVAL	DATE



DC MATE PLUG

MODEL NO.	HDC-D02H
SCHEMATIC	
CENTER PIN	∅2mm
	∅2.35mm
	∅2.5mm

\* MATERIAL

CENTRE PIN : COPPER  
 TERMINAL 1 : BRASS  
 TERMINAL 2 : COPPER ALLOY  
 TERMINAL 3 : BRASS  
 HOUSING : PBT  
 COVER : PBT

HUAI YANG CO.,LTD. 淮洋有限公司 TEL:886-2-8261-0858

PART NAME	HIGH CURRENT DC POWER SOCKET	TOLERANCE UNLESS	0.0±0.2	UNIT:		DESIGN	T.Y.LI	DATE	9-10-2003	SCALE	2:1
PART NO.	HDC-Q02H	OTHERWISE SPECIFIED:	0.00±0.1 0.000±0.05	mm		DRAWING	T.Y.LI	DATE	16-8-2006	MATERIAL	*
						CHECK		DATE		DWG. NO.	TZ\DC020H-PBT/A
						APPROVAL		DATE		SHEET	

F

E

D

C

B

A DCF-04/A