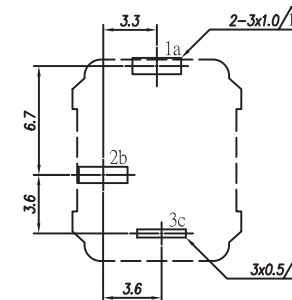
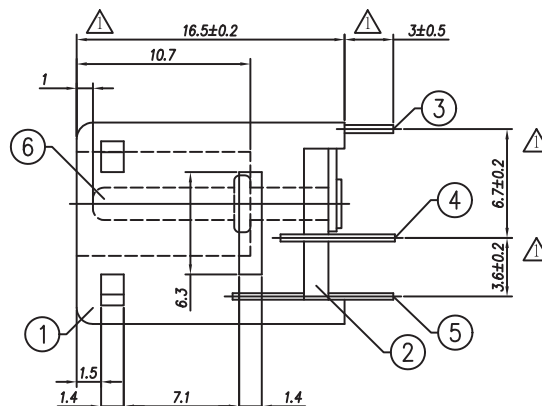
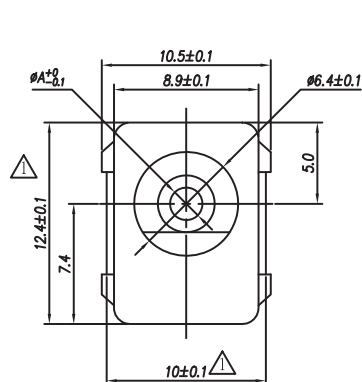


| HISTORY X COUNT | DATE (YYYY.MM.DD) | ECN NO. | REV. | REVISION | SIGN. |
|-----------------|-------------------|---------|------|----------------|-------|
| --- | 2010.08.04 | --- | 1.0 | New Drawing | 黄福堂 |
| △X10 | 2011.11.15 | N11B010 | 1.1 | Drawing Update | 黄福堂 |

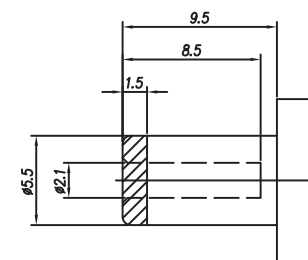
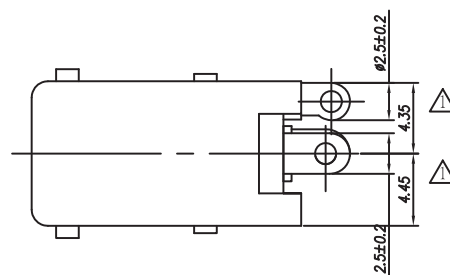


TOL: ±0.1

PCB t=1.6

PCB LAYOUT
BOTTOM VIEW

| MODEL | DJ-0703A*020 | DJ-0703A*025 |
|-----------------------|--------------|--------------|
| CENTER PIN DIMETER ØA | 2.0 DIA | 2.5 DIA |
| SCHEMATIC | | |



Mating Plug

| NO. | MODEL | PART NO. | MATERIAL | ØA |
|-----|-----------|--------------|----------|------|
| 2 | 0703A*025 | 0703B-73-cXN | BRASS | Ø2.5 |
| 1 | 0703A*020 | 0703B-72-cXN | BRASS | Ø2.0 |

TABLE B: Model of Center Pin

| NO. | PART NAME | PART NO. | Q'TY | MATERIAL | PLATED / COLOR | REMARK |
|-----|-----------|--------------|------|-----------------------|----------------|------------------|
| 6 | PIN | Table B | 1 | Table B | Ni: 3~4µm | See Table |
| 5 | NO. 3 PIN | 0703-33-eXX | 1 | PHOSPHOR BRONZE | Ag: 0.3~1µm | t=0.25 |
| 4 | NO. 2 PIN | 0703-32-bXX | 1 | BRASS | Ag: 0.3~1µm | t=0.35 |
| 3 | NO. 1 PIN | 0703-31-bXX | 1 | BRASS | Ag: 0.3~1µm | t=0.5 |
| 2 | BOARD | 0703C-52-z-B | 1 | BAKEUTE | BLACK | (RoHS Fit), 94HB |
| 1 | BODY | 0703A-01-aXB | 1 | P.B.T+15%GF OR EQUIV. | BLACK | (RoHS Fit) |

TABLE A : Parts of Product

| NOTICE | PLATED/COLOR | ANGLE TOL. | SCALE | RoHS Complied | | SIZE |
|--------|--------------|------------|---------------|---------------|---------------------------|-------|
| | See Table | ±2° | 3/1 | SPECIFICATION | | A3 |
| | THICKNESS | TOLERANCE | UNIT | PART NAME | | REV. |
| | See Table | ±0.3 | mm | DC POWER JACK | | 1.1 |
| | MATERIAL | ANGLE | ORIGINAL DATE | PART NUMBER | | SHEET |
| | See Table | 3rd | 2010.08.04 | 0703A*XXX | | 1/1 |
| | DESIGNED | DRAWN | CHECKED | APPROVED | DWG. NO | |
| | 黄福堂 | 黄福堂 | 游大成 | 游大成 | 0703A-A003 | |
| | 2011.11.15 | 2011.11.15 | 2011.11.15 | 2011.11.15 | 淮洋有限公司 HUI YANG CO., LTD. | |