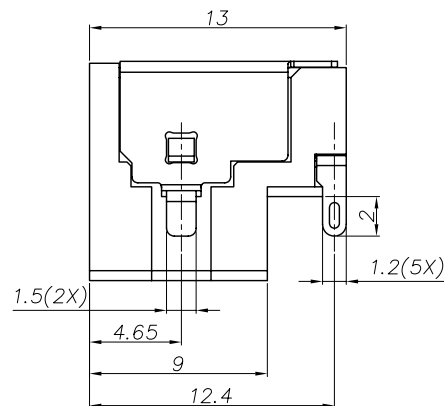
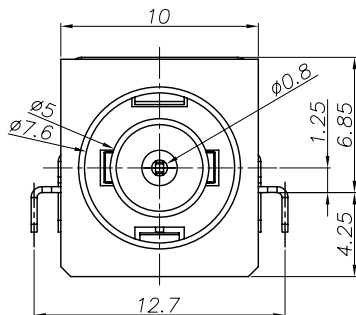
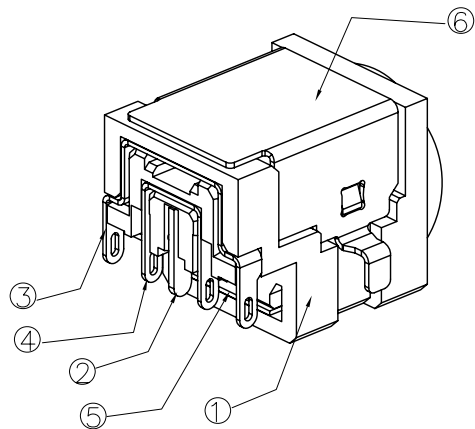
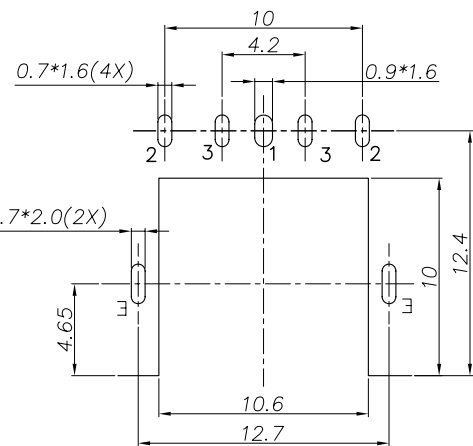


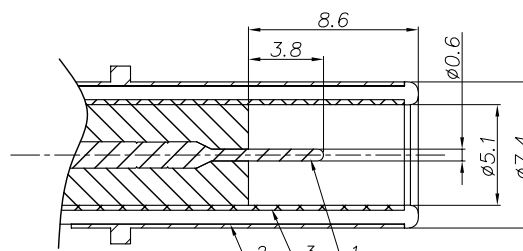
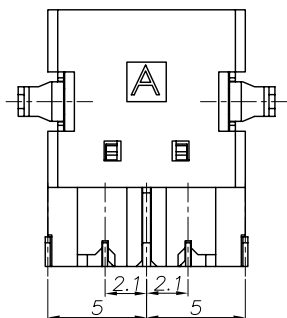
REV.	Q'TY	ECN.	NO.	REASON&CONTENTS	SIGN	DATE



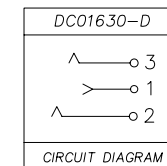
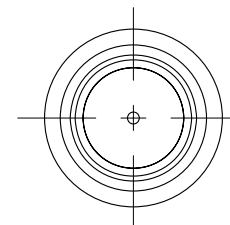
Ordering information:  
**DC01630-D PB 0A G 00 3**  
 (1) (2) (3) (4) (5) (6) (7)  
 (1):Series No  
 (2):Schematic option:D,  
 (3):Material of housing:PB=PBT  
 (4):Housing color:  
 0A=Black  
 (5):Terminal plating:T=Tin(Sn)  
 (6):Special option:  
 00=No special option  
 (7):Packing mode:  
 3=Plastic box packing



RECOMMENDED P. C. B. LAYOUT  
 UNSPECIFIED TOLERANCE: ±0.05  
 (TOP VIEW)



DC MATE PLUG



Specification:

- Rating : DC 30V 0.5A.
- Contact resistance: ≤30mΩ.  
After test: ≤50mΩ
- Insulation resistance: ≥100MΩ (500VDC).  
After test: ≥50MΩ
- Withstanding voltage: 500VAC.
- Insertion and extraction force: 3N~30N.
- life test: 5000cycles min.
- Operation temperature range:-20°C~70°C.
- Preservative temperature range:-40°C~85°C.

⑥	Shield	1	Copper alloy	Nickel plating	
⑤	Tip spring	④	1	Copper alloy	Tin Plating
④	Ring spring	③	1	Copper alloy	Tin Plating
③	Tip spring	②	1	Copper alloy	Tin Plating
②	Center pin	①	1	Copper alloy	Tin Plating
①	Housing		1	Thermoplastic	Black
NO.	DESCRIPTION	Q'TY	MATERIAL	REMARK	

THIS DOCUMENT IS THE SOLE PROPERTY OF <b>Bsun ELECTRONICS CO., LTD.</b> AND SHOULD NOT BE USED IN WHOLE OR IN PART WITHOUT PRIOR WRITTEN PERMISSION.	UNIT:MM	TOLERANCE		TYPE: DC POWER JACK	MODEL NO: DC01630-DPB0AG003	DRAWING TYPE: CUSTOMER DRAWING		
		DIMENSIONS	ANGLES		DRAWING No: BSCR-0000-0029	SCALE:	VER.:	PAGE:
		.X ±0.50	X ±3.0°			N/A	00	1/1
		.XX ±0.30	.XX ±1.5°			淮洋有限公司 HUAI YANG CO., LTD. www.hy1688.com.tw TEL:886-2-82618986		
	.XXX±0.15	.XX ±1.0°						
DESIGNER BY:	King 2011.10.15							
CHECK BY:								
APPROVED BY:								