

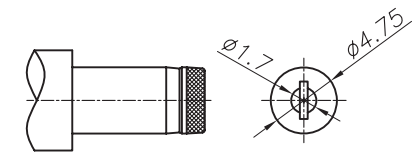
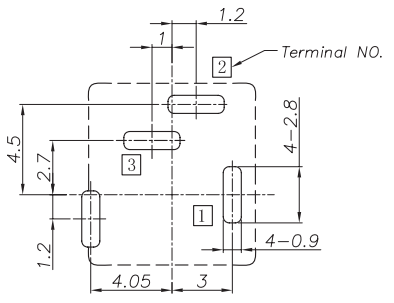
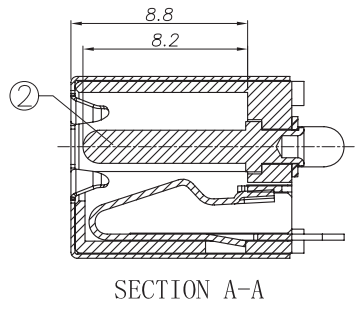
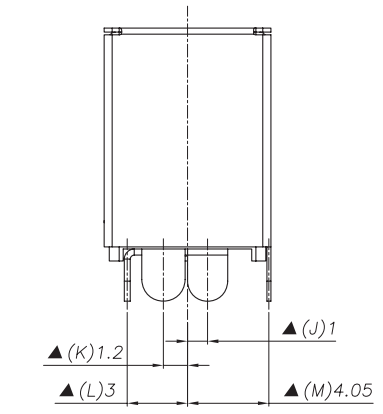
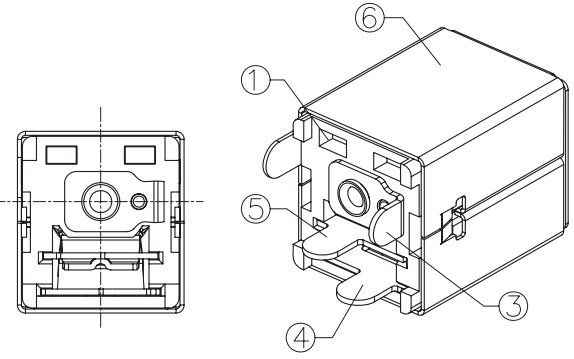
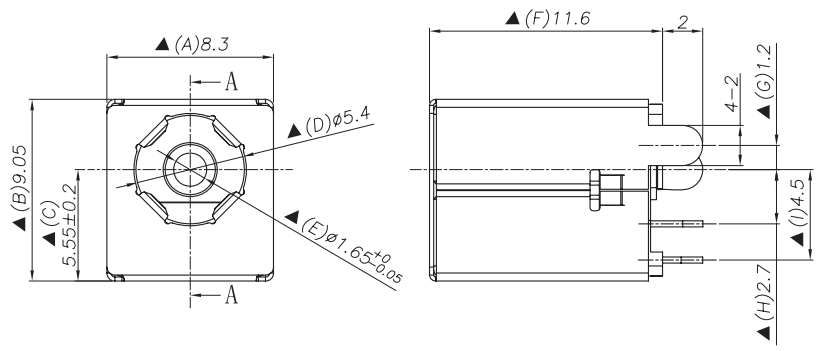
REV.	DESCRIPTION	APPD.	DATE.
	Update drawing	JP.K	2011.07.22

Ordering information:

DC01560-A G 10 0A S H 1

(1) (2) (3) (4) (5) (6) (7) (8)

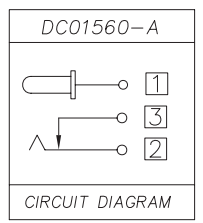
- (1):Series No.
- (2):Schematic option: A
- (3):Center pin diameter:  
G=∅1.65
- (4):Material of housing:  
10=PA10T
- (5):Housing color:  
Zero / 0A=Black
- (6):Terminal plating:  
S=Silver (Ag)
- (7):Special option:  
H=Halogen Free material
- (8):Packing mode:  
1=Reel packing



DC MATE PLUG

Specification:

1. Rating : DC 20V 3A;
2. Contact resistance: ≤30mΩ ;  
After test: ≤50mΩ
3. Insulation resistance: ≥100MΩ (500VDC);  
After test: ≥50MΩ
4. Withstand voltage: 500VAC ;
5. Insertion and extraction force: 3N~30N;
6. life test: 5000cycles min;
7. Operation temperature range:-20℃~70℃
8. Preservative temperature range:-40℃~85℃
9. Sign"▲ "is importance dimension



□ : TERMINAL NO.

NO.	DESCRIPTION	QTY	MATERIAL	PART NO.	REMARK
⑥	Shell	1	Stainless steel t0.2	DC01560-W1	Nickel plating
⑤	Shunt terminal	③	Brass,t0.3	DC01560-03	Silver plating
④	Tip spring	②	Phosphor bronze,t0.3	DC01560-02	Silver plating
③	Center pin terminal	①	Brass,t0.3	DC01560-01	Silver plating
②	Center pin	①	Copper alloy	DC00430-99G	Nickel plating
①	Housing	1	PA10T	DC01560-S1	Black

UNIT:MM	TYPE:	MODEL NO:	PAPER NO: A4	PAGE 1 OF 1
	DC POWER JACK	DC01560-AG100ASH1	TOLERANCE ±0.3	ANGLES ±2'
			SCALE N/A	VER 1

DESIGNER BY: jp.K 2011.7.25  
 CHECK BY:  
 APPROVED BY:  
 淮洋有限公司 HUI YANG CO., LTD.  
 www.hy1688.com.tw TEL:886-2-82618986