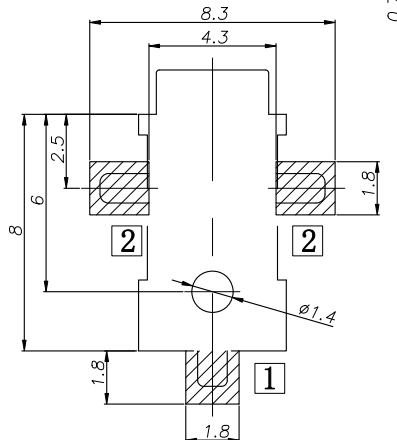
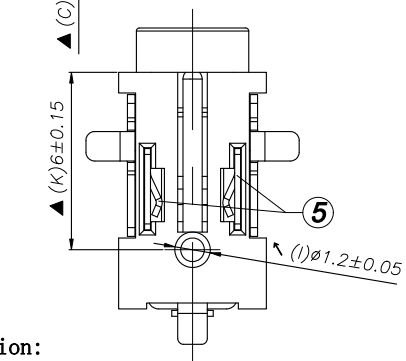
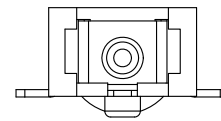
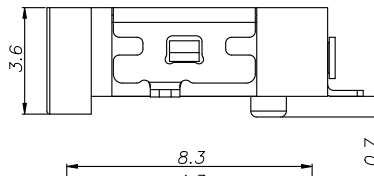
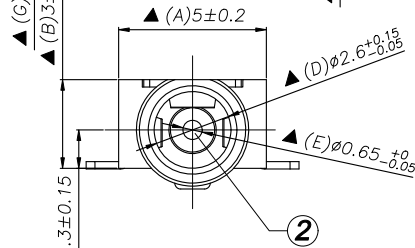
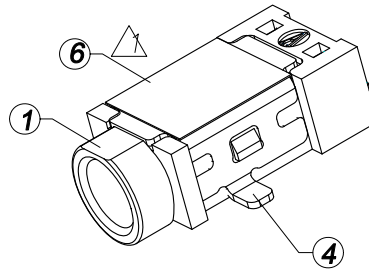
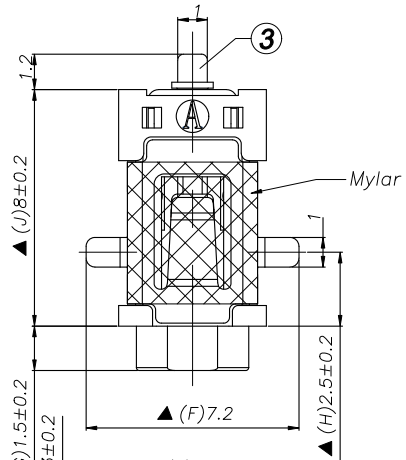
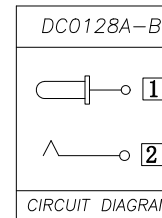


REV. LTR.	DESCRIPTION	SIGN	DATE:
△ X1	Add Mylar	JP.K	2011.05.04

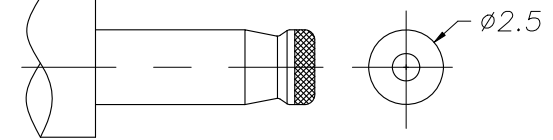


RECOMMENDED P. C. B. LAYOUT
UNSPECIFIED TOLERANCE: ±0.05
(TOP VIEW)



□ : TERMINAL NO.

Ordering information:
DC0128A-B A LC 0A S □ 1
 (1) (2) (3) (4) (5) (6) (7) (8)
 (1): Series No.
 (2): Schematic option: B
 (3): Center pin diameter: A=∅0.65
 (4): Material of housing:
 LC=LCP (Standard)
 (5): Housing color:
 Zero → 0A=Black (Standard)
 (6): Terminal plating
 S=Sivler (Ag) (Standard)
 (7): Special option:
 Zero → 0=No special option
 M=With Mylar
 (8): Packing mode:
 1=Tape reel packing



DC MATE PLUG

Specification:

- Rating Δ DC 6V 2A.
- Contact resistance Δ $\leq 50m\Omega$
After test: $\leq 100m\Omega$
- Insulation resistance Δ $\geq 100M\Omega$ (500VDC).
After test: $\geq 50M\Omega$
- Withstand voltage Δ 500VAC.
- Insertion and extraction force Δ 3N ` 30N.
- life test Δ 5000cycles min.
- Operation temperature range: -20°C ` 70°C.
- Preservative temperature range: -40°C ` 85°C.
- Sign "▲" is importance dimension.

⑥	Mylar	1	Polyimide 0.05t		
⑤	Spring	2	Stainless steel, t0.2	DC01280-03	
④	Tip spring	② 1	Phosphor bronze, t0.25	DC0128A-02	Silver plating
③	Center pin terminal	① 1	Brass, t0.2	DC00550-01	Silver plating
②	Center pin	① 1	Brass	DC00550-99A	Silver plating
①	Housing	1	LCP UL 94V-0	DC01280-S1	Black
NO.	DESCRIPTION	QTY	MATERIAL	PART NO.	REMARK

UNIT:MM	TYPE:	MODEL NO:	PAPER NO: A4	PAGE 1 OF 1
	DC POWER JACK	DC0128A-BALCOAS_1	TOLERANCE	ANGLES
			±0.3	±2°
			SCALE	VER
			FULL	2

DESIGNER BY:	jp. K 2011.05.04	淮洋有限公司 HUI YANG CO., LTD. www.hy1688.com.tw TEL:886-2-82618986
CHECK BY:		
APPROVED BY:		