

DC 0 1 2 8 0 - B A LC 0A S 0 1

(1) (2) (3) (4) (5) (6) (7) (8) (9)

(1) :Series type:DC=DC POWER JACK

(2) :Series No.

(3) :Schematic option: B

(4) :Center pin diameter: A=∅0.65

(5) :Material of housing:
LC=LCP (Standard)

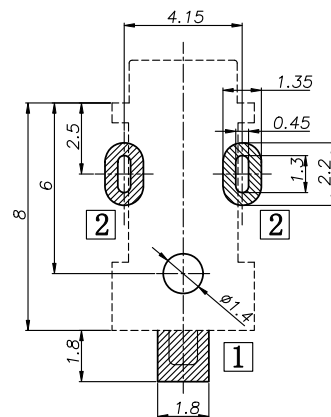
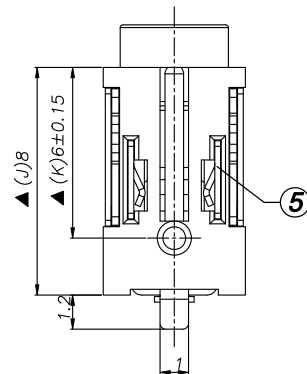
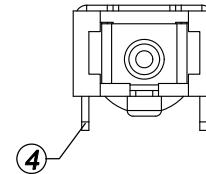
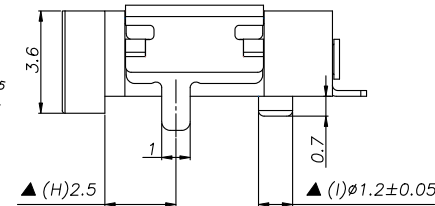
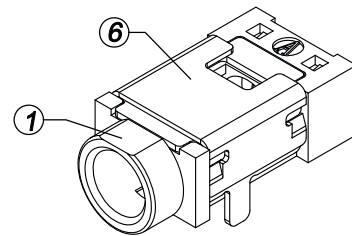
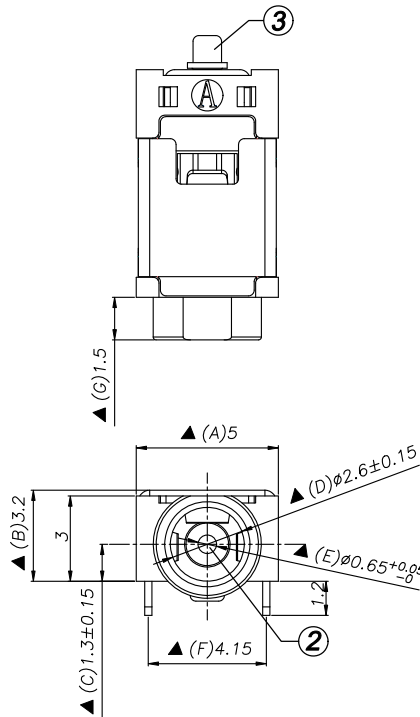
(6) :Housing color:

Zero → OA=Black

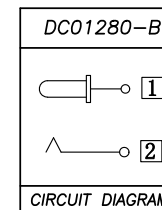
(7) :Terminal plating:
S=Silver (Ag)

(8) :Special option:
0=No special option

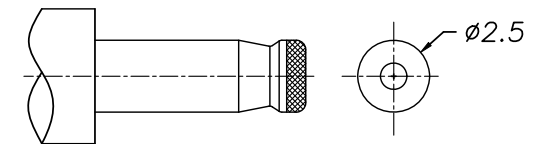
(9) :Packing mode:
1=Reel packing



P. C. B Layout (Top view)



□ : TERMINAL NO.



DC MATE PLUG

SPECIFICATION

- Rating μ DC 6V 2A *
- Contact resistance μ $\leq 30m\Omega$ *
- Insulation resistance μ $\geq 100M\Omega$ (DC500V) *
- Withstand voltage μ 500VAC *
- Insertion and extraction force μ 3-30N;
- Life test μ 5,000 cycles;
- Sign "▲" is importance dimension.

⑥	Shell	1	Phosphor bronze t=0.2	DC01280-04	Silver plating
⑤	Spring	2	Stainless steel t=0.2	DC01280-03	Silver plating
④	Tip spring	② 1	Phosphor bronze t=0.25	DC01280-02	Silver plating
③	Center pin terminal	① 1	Brass t=0.2	DC00550-01	Silver plating
②	Center pin	① 1	Brass	DC00550-99A	Silver plating
①	Housing	1	LCP	DC01280-S1	

NO.	DESCRIPTION	QTY	MATERIAL	PART NO.	PLATING
-----	-------------	-----	----------	----------	---------

UNIT:MM	TYPE:	MODEL NO:	PAPER NO: A4	PAGE 1 OF 1	
	DC POWER JACK	DC01280-BALCOAS01	TOLERANCE	ANGLES	SCALE
			±0.2	±2°	FULL
				VER	1

DESIGNER BY:	Li Wenhui 2009.10.31	淮洋有限公司 HUI YANG CO., LTD. www.hy1688.com.tw TEL:886-2-82618986
CHECK BY:		
APPROVED BY:		