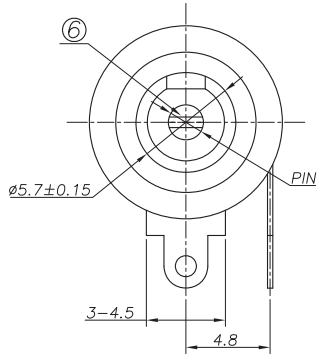
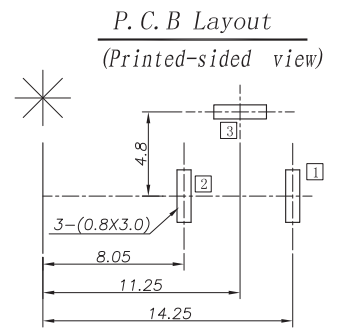
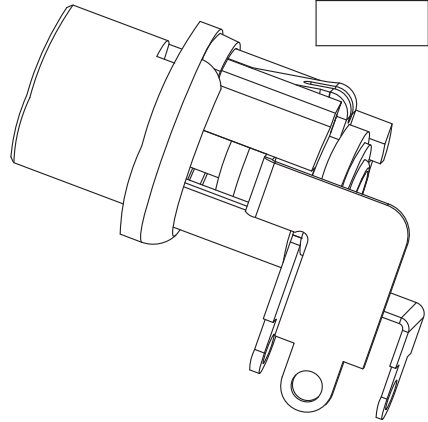
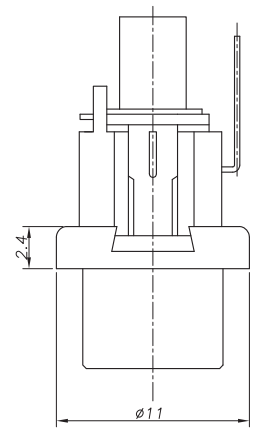


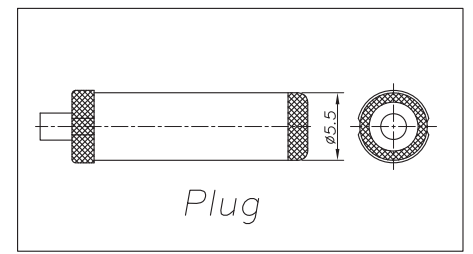
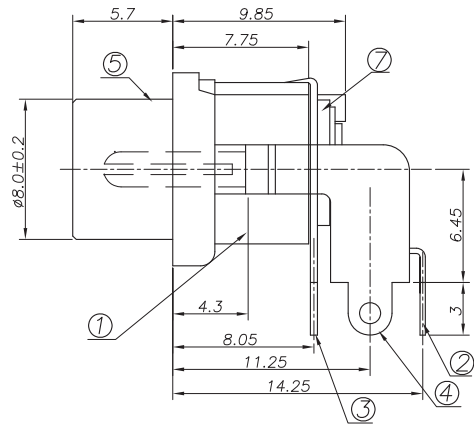
REV. LTR.	DESCRIPTION	SIGN	DATE



Ordering information:

DC01240-□ □ PB 0A C 0 4
 (1) (2) (3) (4) (5) (6) (7) (8)

- (1):Series No
- (2):Schematic option: A B
- (3):Center pin diameter:
H:2.0 J:2.5
- (4):Material of housing:
PB:PBT (Only)
- (5):Housing color:
0A:Black(Only)
- (6):Terminal plating
S:Silver(Ag)
T:Tin(Sn)
C:copper&tin alloy plating (Standard)
- (7):Special option
0:No special option
- (8):Packing mode:
4:Bag packing



Model NO.	DC01240-A	DC01240-B
Schematic		

□: TERMINAL NO.

SPECIFICATION

- 1. Rating : 30V 3.0A;
- 2. Contact resistance: ≤30mΩ;
- 3. Insulation resistance: ≥100MΩ (DC250V);
- 4. Withstand voltage: 500VAC ;
- 5. Insertion and extraction force: 3-30N;
- 6. life test: 5,000 cycles.

⑥	Center pin	1	1	Phosphor bronze	Ni-Plating
⑤	Bushing	1	1	Brass	Ni-Plating
④	Shunt Terminal	3	1	Phosphor bronze	Cu-Sn-Plating
③	Tip Spring	2	1	Phosphor bronze	Cu-Sn-Plating
②	Center pin terminal	1	1	Brass	Cu-Sn-Plating
①	Housing	1	1	PBT	Black

NO.	DESCRIPTION	QTY	MATERIAL	PLATING
UNIT:MM	TYPE:	MODEL NO:	PAPER NO: A4 PAGE 1 OF 1	
	DC POWER JACK	DC01240-__PB0AC04	TOLERANCE	ANGLES SCALE VER
			±0.3	±2° FULL 2

DESIGNER BY: *Zhuhong 2009/07/08*
 CHECK BY: _____
 APPROVED BY: _____

淮 洋 有 限 公 司 HUAI YANG CO., LTD.
www.hy1688.com.tw TEL:886-2-82618986