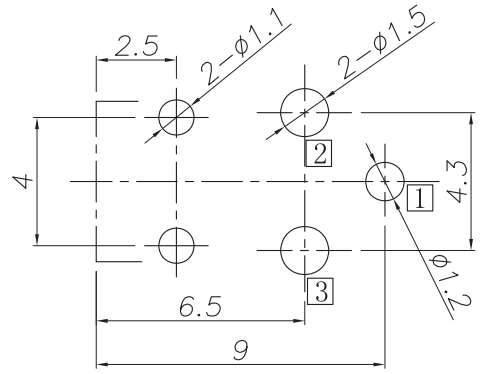
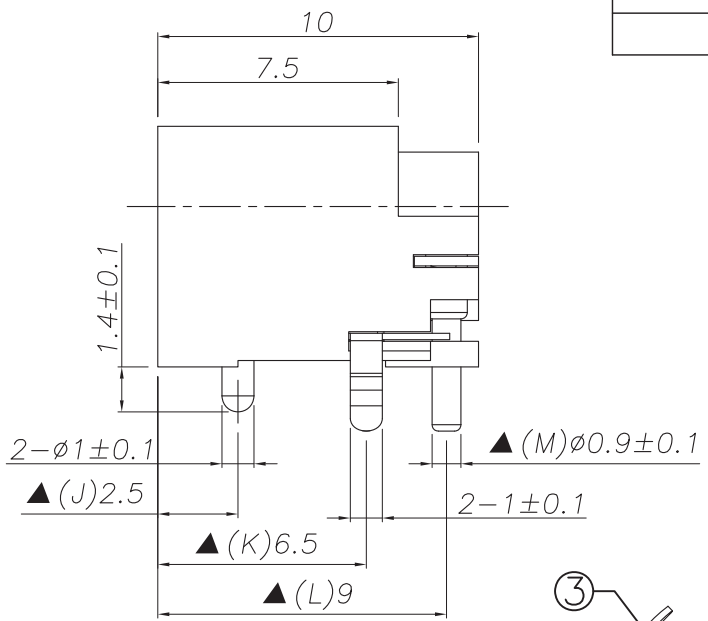
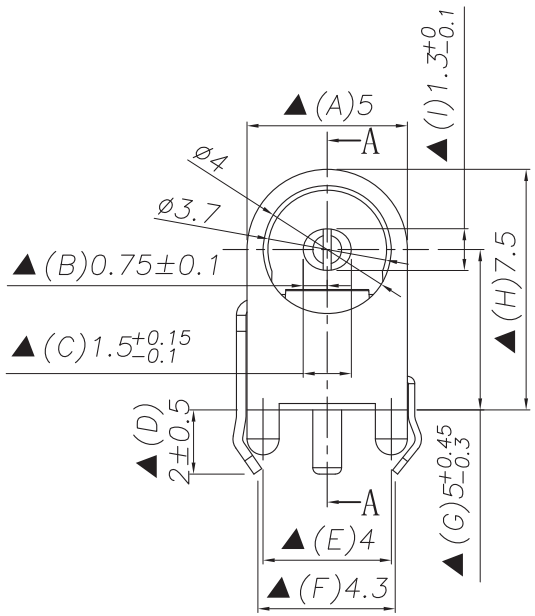
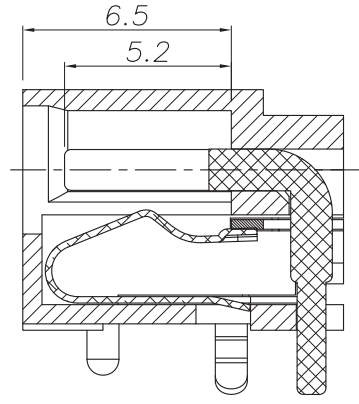


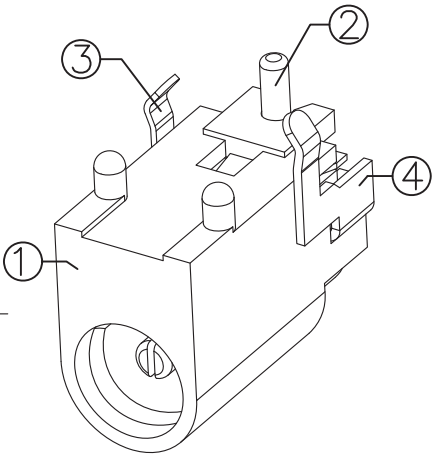
REV. LTR.	DESCRIPTION	SIGN	DATE
	Update drawing	PD X	2011.07.20



RECOMMENDED P. C. B. LAYOUT  
UNSPECIFIED TOLERANCE: ±0.05  
(BOTTOM VIEW)



SECTION A-A



Zero →

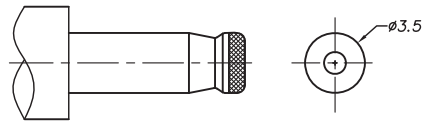
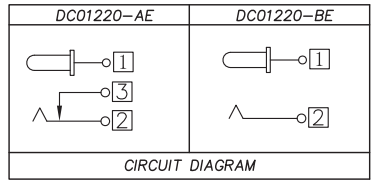
DC01220- □ E PB 0A S 0 4  
(1) (2) (3) (4) (5) (6) (7) (8)

- (1): Series NO.
- (2): Schematic option: A B
- (3): Center pin diameter: E=φ1.3
- (4): Material of housing:  
PB=PBT (Standard)
- (5): Housing color:  
0A=Black (Standard)
- (6): Terminal plating:  
S=Silver (Ag)
- (7): Special option:  
0=No special option
- (8): Packing mode:  
4=Bag packing

Specification:

1. Rating : DC 12V 3A.
2. Contact resistance: ≤30mΩ.  
After test: ≤50mΩ
3. Insulation resistance: ≥100MΩ (500VDC).  
After test: ≥50MΩ
4. Withstanding voltage: 500VAC.
5. Insertion and extraction force: 3N~30N.
6. life test: 5000cycles min.
7. Operation temperature range: -20°C~70°C.
8. Preservative temperature range: -40°C~85°C.
9. Sign"▲" is importance dimension.

④	Shunt terminal	1	Brass t0.3	DC01220-03	Silver plating
③	Tip spring	1	Phosphor bronze t0.2	DC01220-02	Silver plating
②	Center pin	1	Phosphor bronze	DC01220-99E	Silver plating
①	Housing	1	PBT	DC01220-S1	Black
NO.	DESCRIPTION	QTY	MATERIAL	PART NO.	REMARK



DC MATE PLUG

UNIT: MM	TYPE: DC POWER JACK	MODEL NO: DC01220-EPB0AS04	PAPER NO: A4	PAGE 1 OF 1
DESIGNER BY: PD X 2011.07.20		TOLERANCE: ±0.3		
CHECK BY:		ANGLES: ±2'		
APPROVED BY:		SCALE: N/A		
		VER: 0		

淮洋有限公司 HUI YANG CO., LTD.  
www.hy1688.com.tw TEL:886-2-82610858