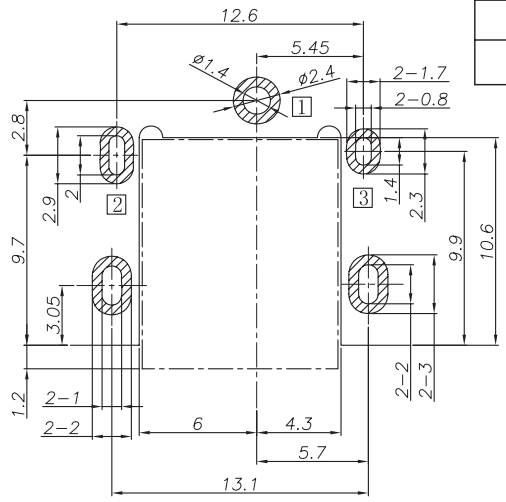
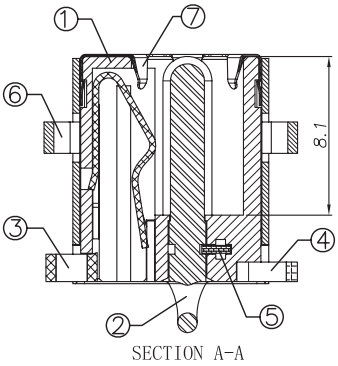
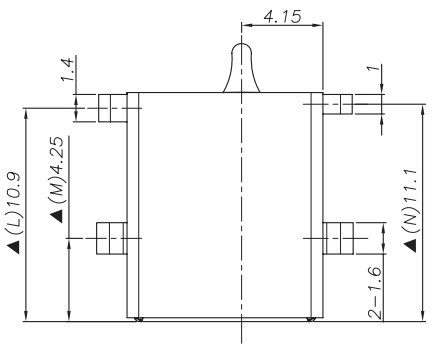
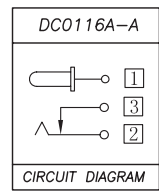
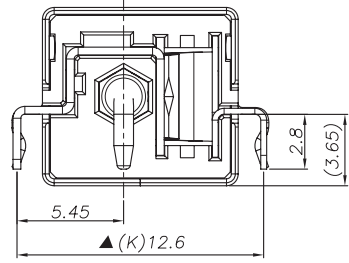
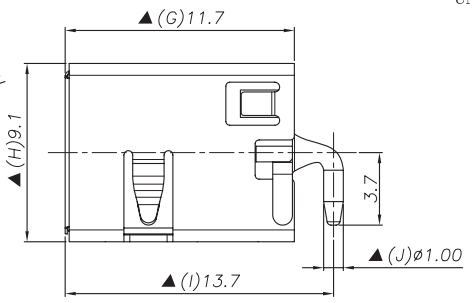
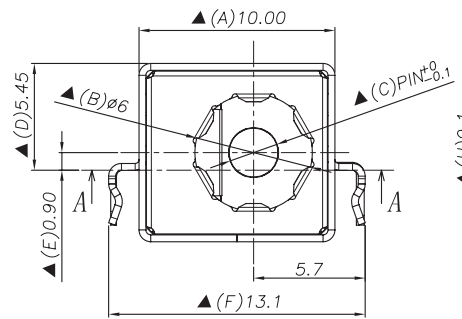


REV. LTR.	DESCRIPTION	SIGN	DATE

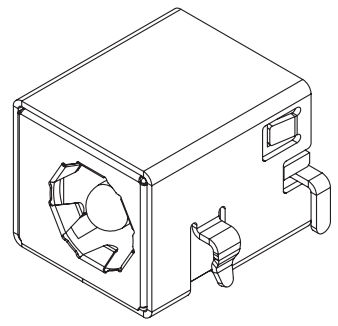


RECOMMENDED P.C.B. LAYOUT
UNSPECIFIED TOLERANCE: ± 0.05
(COPPER-SIDED VIEW)

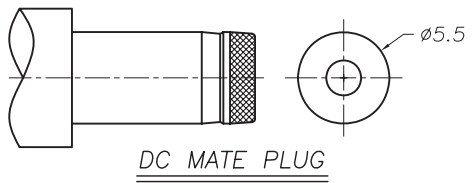
Ordering information:
DC 0116A - A 0A S 1
 (1) (2) (3) (4) (5) (6) (7) (8) (9)
 (1): Series type: DC=DC POWER JACK
 (2): Series No.
 (3): Schematic option: A
 (4): Center pin diameter:
 G= $\phi 1.65$, H= $\phi 2.0$, J= $\phi 2.5$
 (5): Material of housing:
 9T=PA9T(Standard), 10=PA10T
 (6): Housing color: 0A=Black
 (7): Terminal plating: S=Silver(Ag)
 (8): Special option:
 0=No special option
 H=Housing is Halogen Free.
 (9): Packing mode: 1=Reel packing



: TERMINAL NO.



Model No.	DC0116A-_G	DC0116A-_H	DC0116A-_J
PIN	$\phi 1.65$	$\phi 2.0$	$\phi 2.5$



- SPECIFICATION**
- Rating : DC 20V 7A;
 - Contact resistance: $\leq 30m\Omega$,
After life test: $\leq 50m\Omega$;
 - Insulation resistance: $\geq 100M\Omega$ (DC500V),
After life test: $\geq 50M\Omega$;
 - Withstand voltage: 500VAC ;
 - Insertion and extraction force: 3-30N;
 - life test: 5,000 cycles;
 - Operation temperature range: $-20^{\circ}C \sim 70^{\circ}C$;
 - Preservative temperature range: $-40^{\circ}C \sim 85^{\circ}C$;
 - Sign "▲" "is importance dimension.

NO.	DESCRIPTION	QTY	MATERIAL	PART NO.	RMARK
⑦	Ground terminal	1	Stainless steel, t0.1	DC0116A-E1	
⑥	Shield	1	Brass, t0.35	DC01160-W1	Nickel plating
⑤	Terminal	1	Brass, t0.4	DC01160-04	
④	Shunt terminal	③ 1	Brass, t0.4	DC01160-03	Silver plating
③	Tip spring	② 1	Phosphor bronze, t0.3	DC01160-02	Silver plating
②	Center pin	① 1	Zinc alloy	DC01160-99G/H/J	Nickel plating
①	Housing	1	PA9T, PA10T UL94V-0	DC0116A-S1	Black

UNIT: MM	TYPE:	MODEL NO:	PAPER NO: A4	PAGE 1 OF 1
	DC POWER JACK	DC0116A-A_ _0AS_1	TOLERANCE	ANGLES
			± 0.3	$\pm 2'$
			SCALE	VER
			FULL	2

DESIGNER BY:	Zhangxiuke	淮洋有限公司 HUAI YANG CO., LTD. www.hy1688.com.tw TEL:886-2-82618986
CHECK BY:	2011.02.19	
APPROVED BY:		