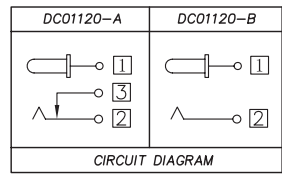
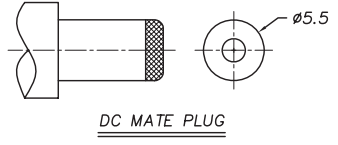
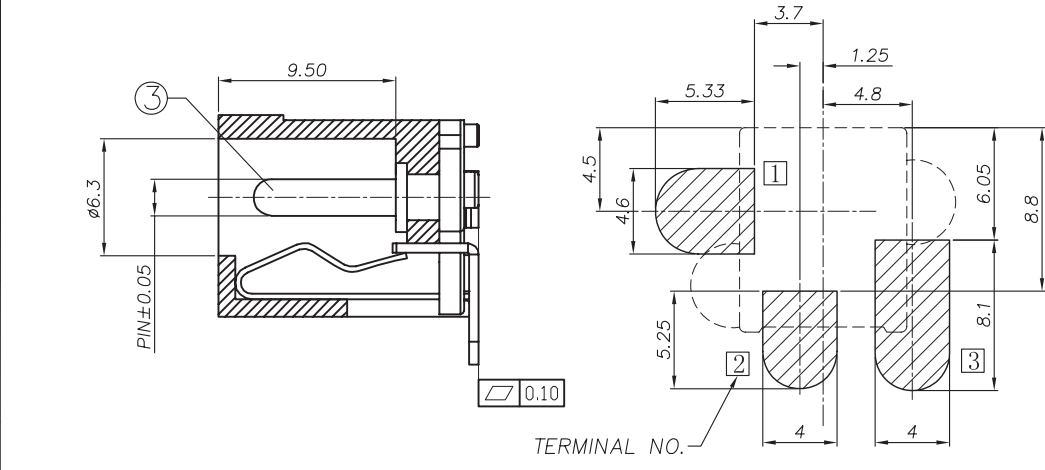
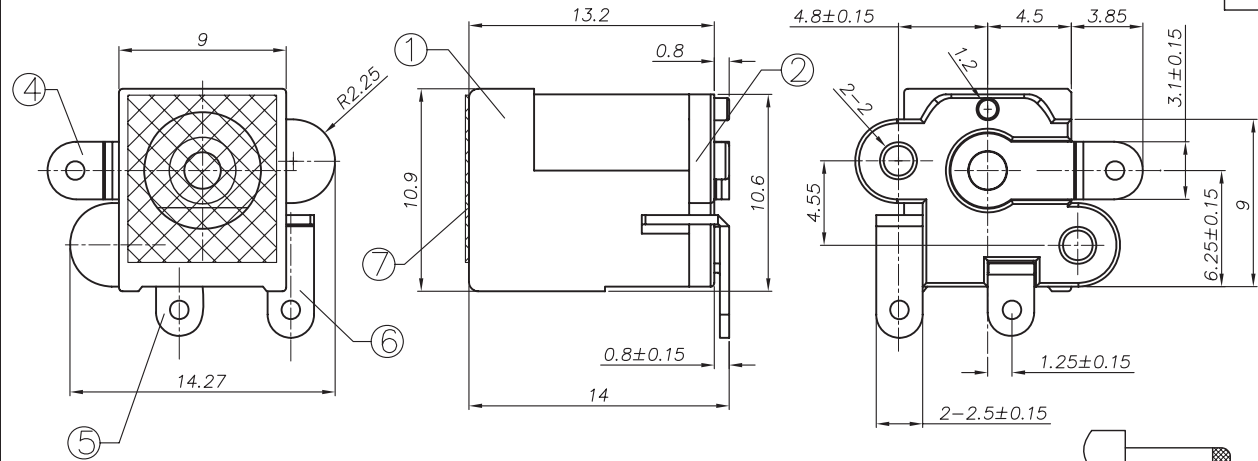


REV. LTR.	DESCRIPTION	SIGN	DATE



Model No.	DC01120- <u>H</u>	DC01120- <u>J</u>	DC01120- <u>J</u>
PIN	Ø2.0	Ø2.35	Ø2.5

Ordering information:  
DC 0 1 1 2 0 - □ □ 9T 0A T 0 1  
 (1) (2) (3) (4) (5) (6) (7) (8) (9)  
 (1):Series type:DC=DC POWER JACK  
 (2):Series No.  
 (3):Schematic option:  
 A , B  
 (4):Center pin diameter:  
 H=Ø2.0 , I=Ø2.35 , J=Ø2.5  
 (5):Material of housing:  
 9T=PA9T (Standard)  
 (6):Housing color:  
 0A=Black  
 (7):Terminal plating:  
 T=Tin (Sn)  
 (8):Special option:  
 0=No special option  
 (9):Packing mode:  
 1=Reel packing

P. C. B Layout (Copper-sided view)

SPECIFICATION

- 1.Rating : DC 20V 3A;
- 2.Contact resistance: ≤30mΩ;
- 3.Insulation resistance: ≥100MΩ (DC500V);
- 4.Withstand voltage: 500VAC ;
- 5.Insertion and extraction force: 3-30N;
- 6.life test: 5,000 cycles;
- 7.Operation temperature range:-20°C~70°C;
- 8.Preservative temperature range:-40°C~85°C;

⑦	Mylar	1			
⑥	Shunt terminal	③	1	Brass	Cu:40u"+Tin:120u"
⑤	Tip spring	②	1	Phosphor bronze	Cu:40u"+Tin:120u"
④	Center pin terminal	①	1	Brass	Cu:40u"+Tin:120u"
③	Center pin	①	1	Brass	Cu:40u"+Ni:120u"
②	Cover		1	PA9T	
①	Housing		1	PA9T	
NO.	DESCRIPTION	QTY	MATERIAL	REMARK	

UNIT:MM	TYPE:	MODEL NO:	PAPER NO: A4	PAGE 1 OF 1		
⊕	DC POWER JACK	DC01120- <u>  </u> - <u>  </u> 9T0AT01	TOLERANCE	ANGLES	SCALE	VER
			±0.3	±2'	FULL	1

DESIGNER BY: Li Wenhui 2010.3.18  
 CHECK BY:  
 APPROVED BY:  
 淮洋有限公司 HUAI YANG CO., LTD.  
 www.hy1688.com.tw TEL:886-2-82618986