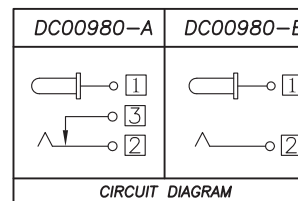
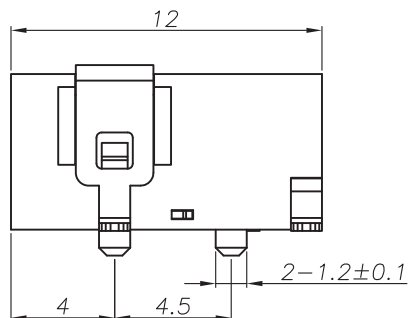
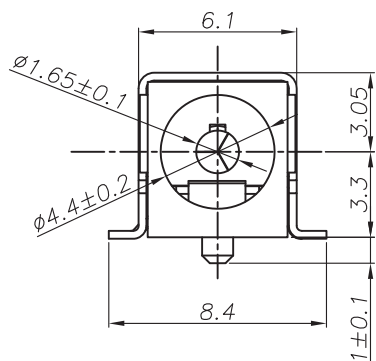
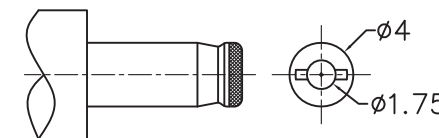


P. C. B Layout (Copper-sided view)



□ : TERMINAL NO.



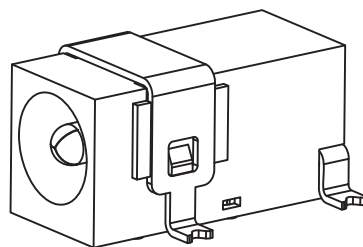
DC MATE PLUG

DC 00980 - □ □ □ □ □ □ □ □ □ □
 ① ② ③ ④ ⑤ ⑥ ⑦ ⑧ ⑨

- ①:Series type:DC=DC POWER JACK
- ②:Series No.
- ③:Schematic option:
A、B
- ④:Center pin diameter:
G=ø1.65
- ⑤:Material of housing:
9T=PA9T (Standard)
- ⑥:Housing color:
0A=Black (Standard)
- ⑦:Terminal plating:
S=Silver(Ag)
- ⑧:Special option:
0=No special option
- ⑨:Packing mode:
1=Reel packing

SPECIFICATION

- 1.Rating : DC 6.3V 2A;
- 2.Contact resistance: ≤ 30mΩ;
- 3.Insulation resistance: ≥ 100MΩ (DC250V);
- 4.Withstand voltage: 500VAC ;
- 5.Insertion and extraction force: 3-30N;
- 6.life test: 5,000 cycles.



⑤	Frame	1	Brass t=0.3	Ag-Plating	
④	Shunt terminal	③	1	Brass t=0.3	Ag-Plating
③	Tip spring	②	1	Phosphor Bronze t=0.3	Ag-Plating
②	Center pin	①	1	Brass t=0.3	Ag-Plating
①	Housing		1	PA9T	
NO.	DESCRIPTION	QTY	MATERIAL	PLATING	
UNIT:MM	TYPE:	MODEL NO:	PAPER NO: A4 PAGE 1 OF 1		
	DC POWER JACK	DC00980-_G9T0AS01	TOLERANCE	ANGLES SCALE VER	
	DESIGNER BY: Li Wenhui 2008.12.13	HUI YANG CO., LTD.			
	CHECK BY:	www.hy1688.com.tw TEL:886-2-82618986			
	APPROVED BY:				