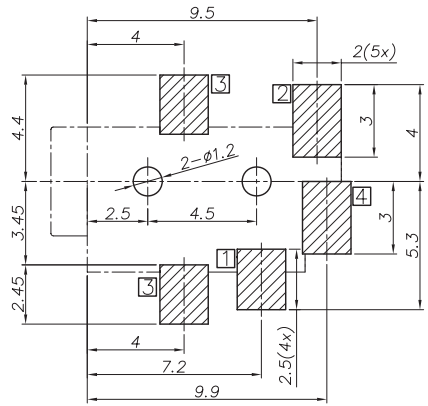
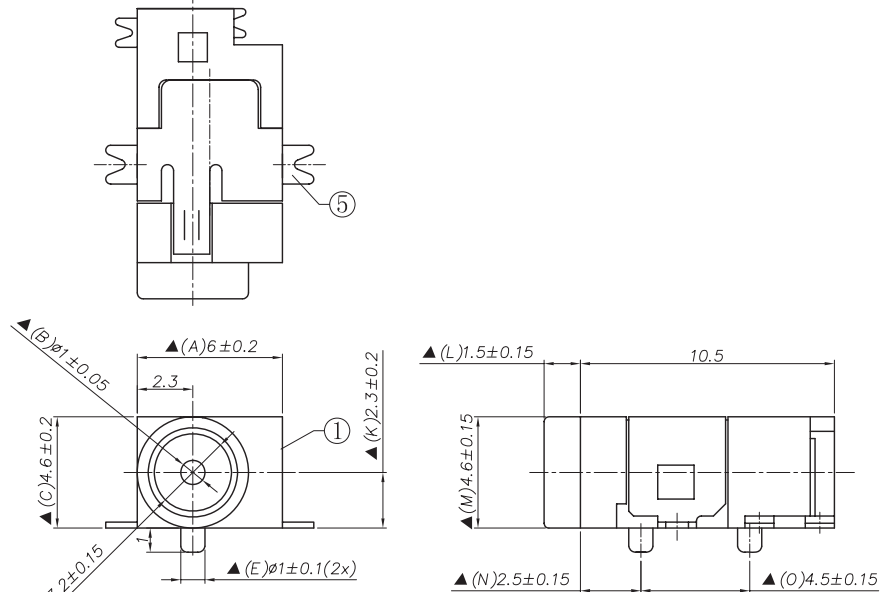
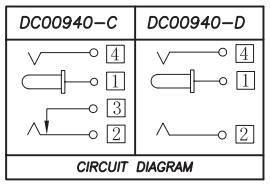
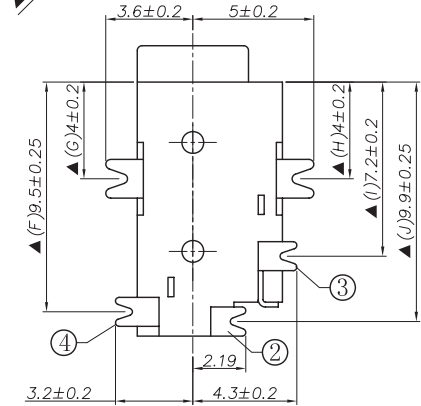


| REV. | LTR. | DESCRIPTION | SIGN | DATE |
|------|------|-------------|------|------|
|      |      |             |      |      |
|      |      |             |      |      |

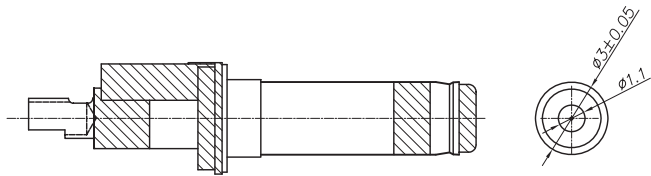


Recommended PCB Layout  
(Tolerance ± 0.05)  
(Copper-sided View)

Ordering information:  
DC 00940 -  C 9T 0A  0 1  
 (1) (2) (3) (4) (5) (6) (7) (8) (9)  
 (1): Series type: DC=DC POWER JACK  
 (2): Series No.  
 (3): Schematic option:  
 C, D  
 (4): Center pin diameter:  
 C=∅1.0  
 (5): Material of housing:  
 9T=PA9T (Standard)  
 (6): Housing color:  
 Zero—0A=Black  
 (7): Terminal plating:  
 S=Silver(Ag) G=Gold(Au)  
 (8): Special option:  
 0=No special option  
 (9): Packing mode:  
 1=Reel packing



: TERMINAL NO.



DC MATE PLUG

**SPECIFICATION**  
 1. Rating : DC 20V 2A;  
 2. Contact resistance: ≤ 30mΩ;  
 After test: ≤ 50mΩ;  
 3. Insulation resistance: ≥ 100MΩ (DC500V);  
 4. Withstand voltage: 500VAC ;  
 5. Insertion and extraction force: 3-30N;  
 6. life test: 5,000 cycles;  
 7. Operation temperature range: -20°C~70°C;  
 8. Preservative temperature range: -40°C~85°C;  
 9. Sign "▲" is importance dimension.

| NO. | DESCRIPTION    | QTY | MATERIAL                | PART NO.            | REMARK       |
|-----|----------------|-----|-------------------------|---------------------|--------------|
| ⑤   | Shield         | 4   | 1 Phosphor bronze,0.25t | DC00940-03(W1-1375) | Gold plating |
| ④   | Shunt terminal | 3   | 1 Brass,0.25t           | DC00520-01(WP-933)  | Gold plating |
| ③   | Tip spring     | 2   | 1 Phosphor bronze,0.25t | DC00520-02(TP-934)  | Gold plating |
| ②   | Center pin     | 1   | 1 Brass,0.25t           | DC00520-99(YZ-936)  | Gold plating |
| ①   | Housing        | 1   | 1 PA9T                  | DC00940-S1(ST-1373) | Black        |

| UNIT:MM | TYPE:         | MODEL NO:        | PAPER NO: A4 | PAGE 1 OF 1 |
|---------|---------------|------------------|--------------|-------------|
|         | DC POWER JACK | DC00940-C9T0A_01 | TOLERANCE    | ANGLES      |
|         |               |                  | ±0.3         | ±2'         |
|         |               |                  | SCALE        | VER         |
|         |               |                  | FULL         | 2           |

DESIGNER BY: Zhang Xiuke 2011.01.06  
 CHECK BY:   
 APPROVED BY:   
 淮洋有限公司 HUI YANG CO., LTD.  
 www.hy1688.com.tw TEL:886-2-82618986