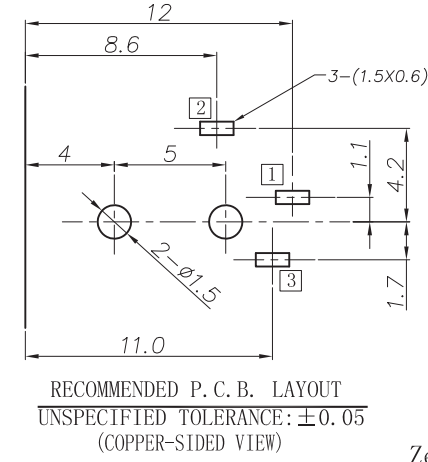
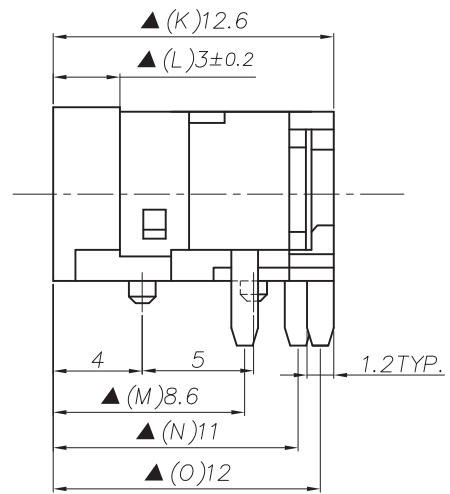
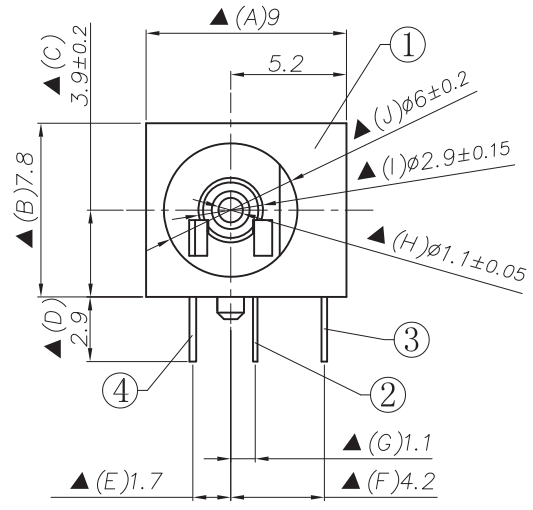
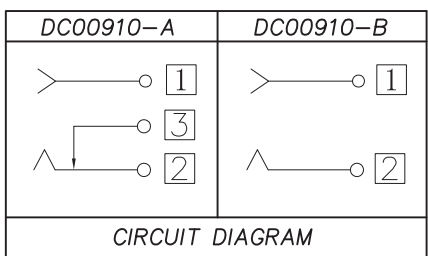


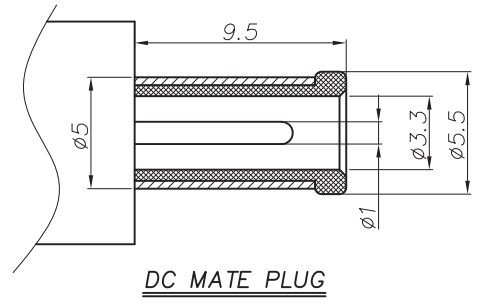
修正标记 REV. LTR.	描述 DESCRIPTION	签名 SIGN	日期 DATE
	Update drawing	<i>bull.pan</i>	2011.04.15.



Ordering information:
DC00910 - □ D PB 0A S 0 4
 (1) (2) (3) (4) (5) (6) (7) (8)
 (1): Series No.
 (2): Schematic option:
 A、B
 (3): Center pin diameter:
 D=∅1.1
 (4): Material of housing:
 PB=PBT
 (5): Housing color:
 0A=Black (Standard)
 (6): Terminal plating:
 S=Silver (Ag)
 (7): Special option:
 0=No special option
 (8): Packing mode:
 4=Bag packing



Circuit Diagram □: Terminal No.



Specification:

- Rating : DC 30V 2A.
- Contact resistance: ≤30mΩ.
After test: ≤50mΩ.
- Insulation resistance: ≥100MΩ (500VDC).
After test: ≥50MΩ.
- Withstanding voltage: 500VAC.
- Insertion and extraction force: 3N~30N.
- life test: 5000cycles min.
- Operation temperature range: -20℃~70℃.
- Preservative temperature range: -40℃~85℃.
- Sign"▲" is importance dimension.

④	Shunt terminal	③	1	Brass t0.3	DC00910-03(WP-1190)	Silver plating
③	Tip spring	②	1	Phosphor bronze, t0.25	DC00910-02(TP-1191)	Silver plating
②	Center pin	①	1	Phosphor bronze, t0.2	DC00910-01(JZ-1192)	Silver plating
①	Housing		1	PBT+15%GF UL94V-0	DC00910-S1(ST-1189)	Black
NO.	DESCRIPTION	QTY	MATERIAL	PART NO.	REMARK	
UNIT: MM		TYPE:		MODEL NO:	PAPER NO: A4	PAGE 1 OF 1
		DC POWER JACK		DC00910-DPB0AS04	TOLERANCE	ANGLES
DESIGNER BY:		<i>Bull.pan</i> 2011.04.15		淮洋有限公司 HUAI YANG CO., LTD.		
CHECK BY:				www.hy1688.com.tw TEL:886-2-82618986		
APPROVED BY:						
				TOLERANCE	SCALE	VER
				±0.3	FULL	02