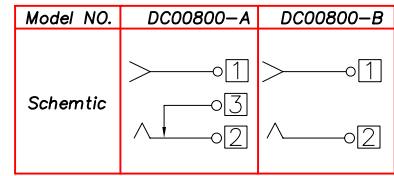
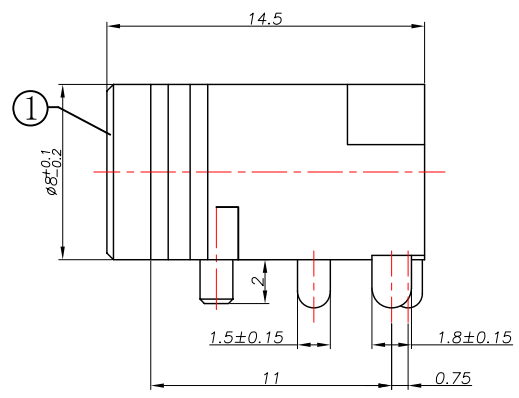
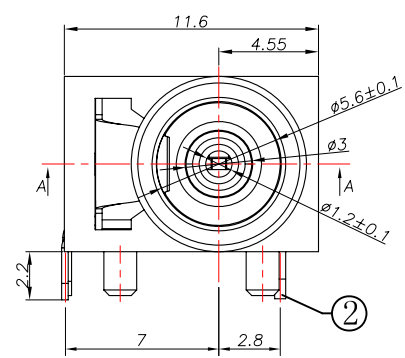
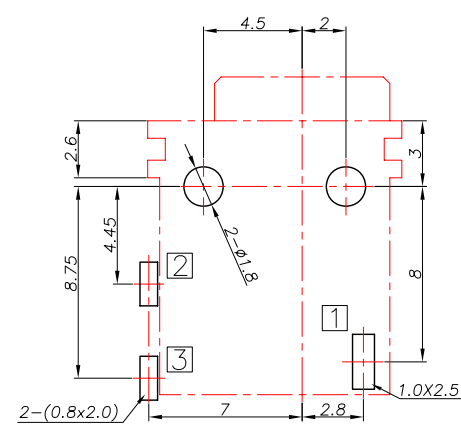
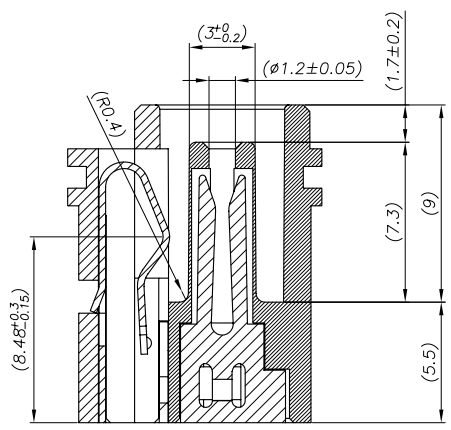
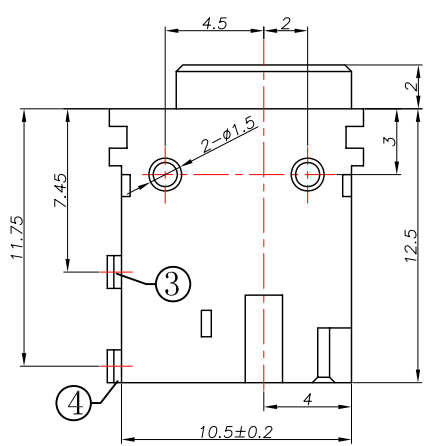


REV. LTR.	DESCRIPTION	SIGN	DATE

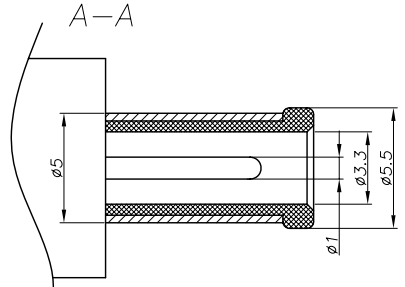


Ordering information:
DC00800-□ D 9T 0A T 0 □
 (1) (2) (3) (4) (5) (6) (7) (8)

- (1): Series No
- (2): Schematic option:
A B
- (3): Center hole diameter:
D=φ1.2
- (4): Material of housing:
9T=PA9T (Only)
- (5): Housing color:
0A=Black (Only)
- (6): Terminal plating
T=Tin(Sn)(Standard)
- (7): Special option
0: No special option
- (8): Packing mode:
1: Reel packing
4: Bag packing



P. C. B Layout
(Copper-sided view)



SPECIFICATION
 1. Rating: DC 20V 6A;
 2. Contact resistance: $\leq 30\text{m}\Omega$;
 3. Insulation resistance: $\geq 100\text{M}\Omega$ (DC250V);
 4. Withstand voltage: 500VAC;
 5. Insertion and extraction force: 3-30N;
 6. Life test: 5,000 cycles.

④	Shunt terminal	③	1	Brass	DC00800-03(WP-998)	Sn-Plating			
③	Tip spring	②	1	Phosphor bronze	DC00800-02(TP-999)	Sn-Plating			
②	Center pin	①	1	Phosphor bronze	DC00800-01(JA-1000)	Sn-Plating			
①	Housing		1	PA9T	DC00800-S1(ST-997)				
NO.	DESCRIPTION	QTY	MATERIAL	PART NO.	PLATING				
UNIT: MM		TYPE:		MODEL NO:		PAPER NO: A4	PAGE 1 OF 1		
		DC POWER JACK		DC00800-_D9T0AT0_		TOLERANCE	ANGLES	SCALE	VER
						±0.3	±2°	FULL	4
DESIGNER BY: <i>Zhuohong 2009.07.20</i>				淮洋有限公司 HUAI YANG CO., LTD.					
CHECK BY:				www.hy1688.com.tw TEL:886-2-82618986					
APPROVED BY:									