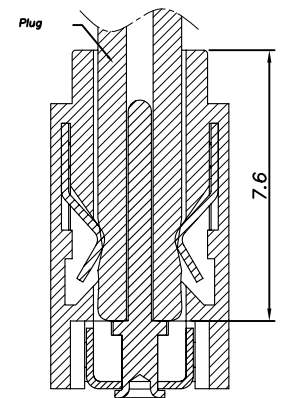
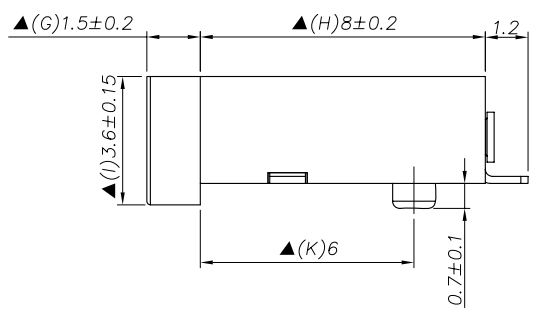
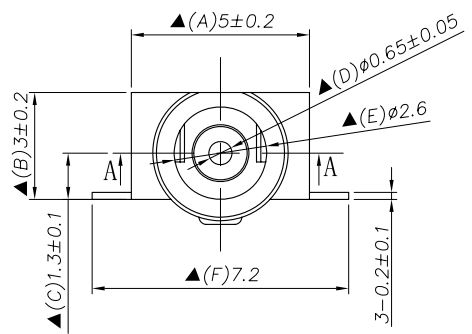


REV. LTR.	DESCRIPTION	SIGN	DATE

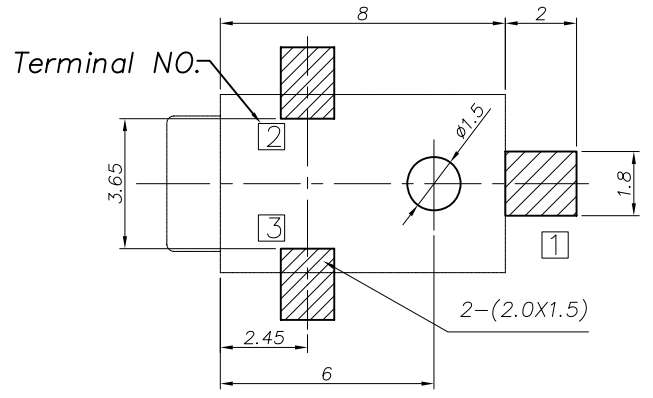
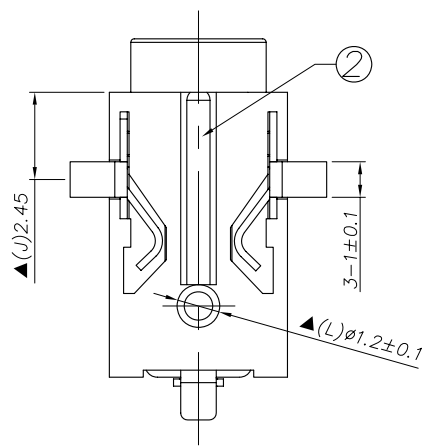


SECTION A-A

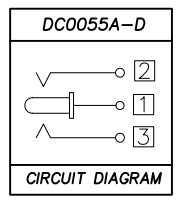
Ordering information:

DC 0 0 5 5 A - D A 9T S 0
 (1) (2) (3) (4) (5) (6) (7) (8) (9)

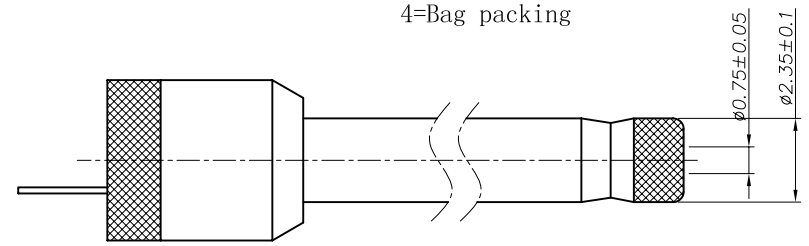
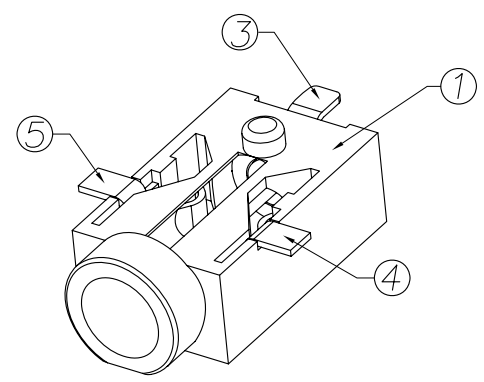
- (1): Series type: DC=DC POWER JACK
- (2): Series No.
- (3): Schematic option: D
- (4): Center pin diameter:
A=∅0.65
- (5): Material of housing:
9T=PA9T
- (6): Housing color:
0A=Black, 9C=White (0419)
- (7): Terminal plating:
S=Silver (Ag)
- (8): Special option:
0=No special option
- (9): Packing mode:
1=Reel packing
4=Bag packing



P. C. B Layout (Top view)



: TERMINAL NO.



DC MATE PLUG

SPECIFICATION

- 1. Rating : DC 12V 1A;
- 2. Contact resistance: ≤30mΩ;
- 3. Insulation resistance: ≥100MΩ (DC500V);
- 4. Withstand voltage: 500VAC ;
- 5. Insertion and extraction force: 3-30N;
- 6. Life test: 5,000 cycles;
- 7. Operation temperature range: -20°C~70°C;
- 8. Preservative temperature range: -40°C~85°C;
- 9. Sign "▲" is importance dimension.

⑤	Tip spring	③	1	Beryllium bronze	DC0055A-03(TP-1308)	Silver plating
④	Tip spring	②	1	Beryllium bronze	DC0055A-02(TP-1307)	Silver plating
③	Center pin terminal	①	1	Brass	DC00550-01(WP-1296)	Silver plating
②	Center pin	①	1	Brass	DC00550-99A(YZ-1299)	Silver plating
①	Housing		1	PA9T	DC00550-S1(ST-1295)	

NO.	DESCRIPTION	QTY	MATERIAL	PART NO.	REMARK
UNIT: MM		TYPE:		MODEL NO:	
		DC POWER JACK		DC0055A-DA9T_ _S0_	
DESIGNER BY:		Wangyan 2010.08.26		淮洋有限公司 HUAI YANG CO., LTD.	
CHECK BY:				www.hy1688.com.tw TEL:886-2-82618986	
APPROVED BY:					

PAPER NO: A4		PAGE 1 OF 1	
TOLERANCE	ANGLES	SCALE	VER
±0.3	±2'	FULL	3