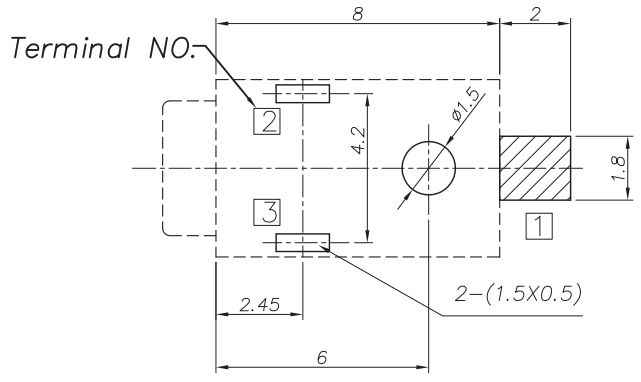
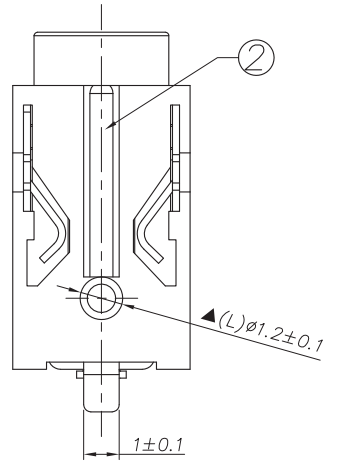
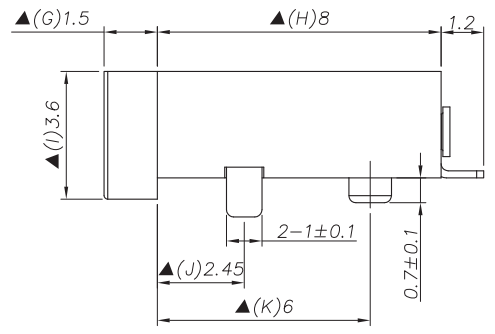
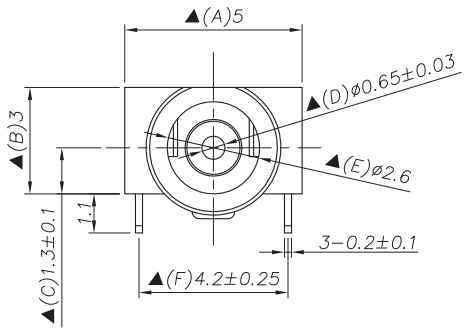
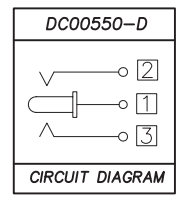


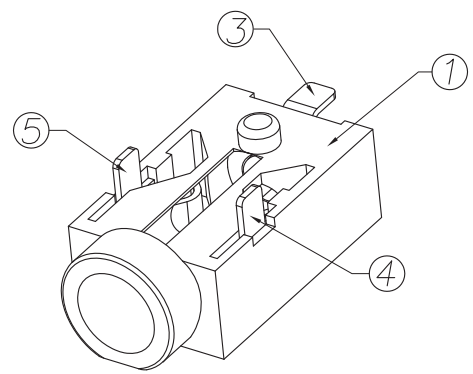
REV. LTR.	DESCRIPTION	SIGN	DATE



P. C. B Layout (Top view)



□ : TERMINAL NO.



Ordering information:

DC 0 0 5 5 0 - D A 9T □ □ S 0 □

(1) (2) (3) (4) (5) (6) (7) (8) (9)

(1):Series type:DC=DC POWER JACK

(2):Series No.

(3):Schematic option: D

(4):Center pin diameter:

A=∅0.65

(5):Material of housing:

9T=PA9T

(6):Housing color:

0A=Black , 9C=White(0419)

(7):Terminal plating:

S=Silver (Ag)

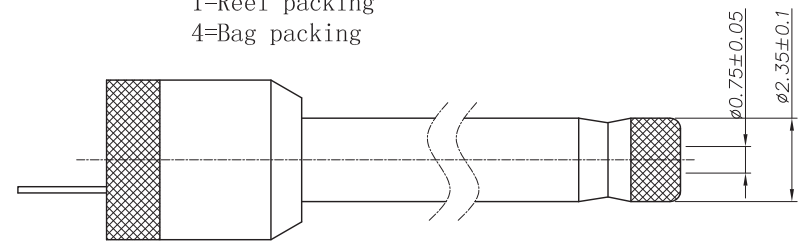
(8):Special option:

0=No special option

(9):Packing mode:

1=Reel packing

4=Bag packing



DC MATE PLUG

SPECIFICATION

- 1.Rating : DC 12V 1A;
- 2.Contact resistance: ≤30mΩ;
- 3.Insulation resistance: ≥100MΩ (DC500V);
- 4.Withstand voltage: 500VAC ;
- 5.Insertion and extraction force: 3-30N;
- 6.life test: 5,000 cycles;
- 7.Operation temperature range:-20°C~70°C;
- 8.Preservative temperature range:-40°C~85°C;
- 9.Sign"▲ "is importance dimension.

5	Tip spring	1	Beryllium bronze	DC00550-03(TP-1298)	Silver plating
4	Tip spring	1	Beryllium bronze	DC00550-02(TP-1297)	Silver plating
3	Center pin terminal	1	Brass	DC00550-01(WP-1296)	Silver plating
2	Center pin	1	Brass	DC00550-99A(YZ-1299)	Silver plating
1	Housing	1	PA9T	DC00550-S1(ST-1295)	

NO.	DESCRIPTION	QTY	MATERIAL	PART NO.	REMARK
UNIT: MM		TYPE:		MODEL NO:	
PAPER NO: A4		PAGE 1 OF 1			
TOLERANCE		ANGLES		SCALE	
VER		FULL		3	

DESIGNER BY: Li Wenhui 2009.11.26
 CHECK BY: [Signature]
 APPROVED BY: [Signature]
 淮洋有限公司 HUI YANG CO., LTD.
 www.hy1688.com.tw TEL:886-2-82618986