

Ordering information:

DC 0 0 5 1 0 - A □ PB 0A S 0 4  
 (1) (2) (3) (4) (5) (6) (7) (8) (9)

(1):Series type:DC=DC POWER JACK

(2):Series No.

(3):Schematic option: A

(4):Center pin diameter:  
 H=φ2.0 , J=φ2.5

(5):Material of housing:  
 PB=PBT (Standard)

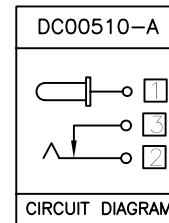
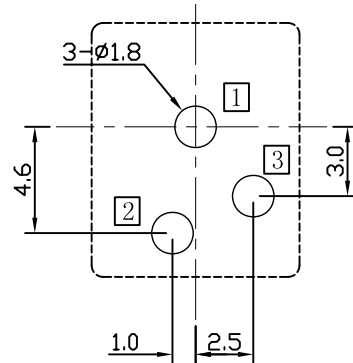
(6):Housing color:  
 0A=Black

Zero (7):Terminal plating:  
 S=Silver (Ag)

(8):Special option:  
 0=No special option

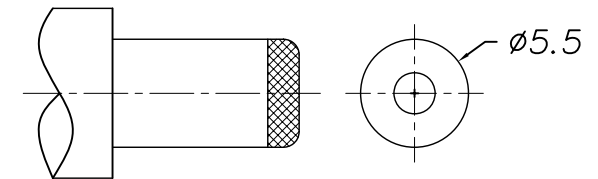
(9):Packing mode:  
 4=Bag packing

P. C. B Layout (Top view)

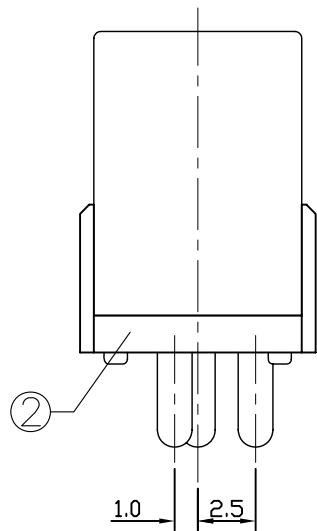


□ : TERMINAL NO.

Model No.	DC00510-H	DC00510-J
PIN	φ2.0	φ2.5



DC MATE PLUG



SPECIFICATION

- 1.Rating : DC 24V 3.5A;
- 2.Contact resistance: ≤30mΩ;
- 3.Insulation resistance: ≥100MΩ (DC250V);
- 4.Withstand voltage: 500VAC ;
- 5.Insertion and extraction force: 3-30N;
- 6.life test: 5,000 cycles.

NO.	DESCRIPTION	QTY	MATERIAL	PART NO.	PLATING
⑤	Shunt terminal □	1	Brass t=0.3	DC00510-03(DC00510-05-02)	Silver-Plating
④	Tip spring □	1	Phosphor bronze t=0.3	DC00510-02(DC00510-05-01)	Silver-Plating
③	Center pin □	1	Brass	DC00510-99H/J	Silver-Plating
②	Cover	1	PBT UL94V-0	DC00510-S2(DC00510-05-05)	
①	Housing	1	PBT UL94V-0	DC00510-S1(DC00510-05-04)	

UNIT:MM	TYPE:	MODEL NO:	PAPER NO: A4	PAGE 1 OF 1
	DC POWER JACK	DC00510-A_PB0AS04	TOLERANCE	ANGLES
DESIGNER BY:	Li Wenhui 2009.5.19		±0.3	±2'
CHECK BY:			SCALE	VER
APPROVED BY:			FULL	2

淮洋有限公司 HUAIYANG CO., LTD.  
 www.hy1688.com.tw TEL:886-2-82618986