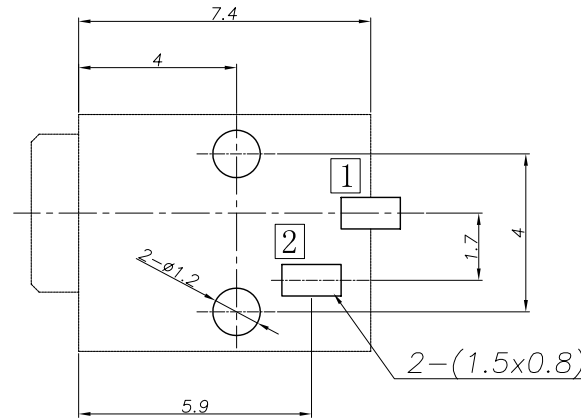
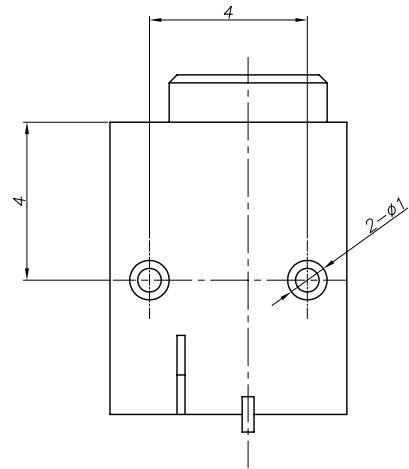
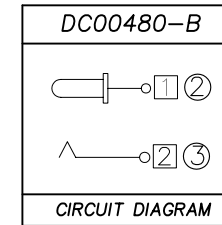


P. C. B Layout (Copper-sided view)



DC 00480 - □ □ □ □ □ □ □ □ □  
 ① ② ③ ④ ⑤ ⑥ ⑦ ⑧ ⑨

- ①: Series type: DC=DC POWER JACK
- ②: Series No.
- ③: Schematic option: B
- ④: Center pin diameter:  
M=∅0.60
- ⑤: Material of housing:  
PB=PBT (Standard) 46=PA46
- ⑥: Housing color:  
0A=Black (Standard)
- ⑦: Terminal plating:  
G=Gold(Au)
- ⑧: Special option:  
0=No special option
- ⑨: Packing mode:  
4=Bag packing



□ : TERMINAL NO. ○ : ITEM NO.

**SPECIFICATION**  
 1. Rating : DC 12V 2A;  
 2. Contact resistance:  $\leq 30m\Omega$ ;  
 3. Insulation resistance:  $\geq 100M\Omega$  (DC500V);  
 4. Withstand voltage: 500VAC ;  
 5. Insertion and extraction force: 3-30N;  
 6. life test: 5,000 cycles.

③	Tip spring	1	SUS301 t=0.2	DC00480-02(TP-721)	Au-Plating
②	Center pin	1	Bronze	DC00480-990(YZ-722)	Au-Plating
①	Housing	1	PBT/PA46	DC00480-S1(ST-720)	

NO.	DESCRIPTION	QTY	MATERIAL	PART NO.	PLATING
UNIT: MM		TYPE:		MODEL NO:	PAPER NO: A4
		DC POWER JACK		DC00480-BM_ _0AG04	PAGE 1 OF 1
DESIGNER BY:		Li Wenhui 2008.8.13		TOLERANCE	ANGLES
CHECK BY:				±0.3	±2'
APPROVED BY:				SCALE	VER
				FULL	2

淮洋有限公司 HUI YANG CO., LTD.  
 www.hy1688.com.tw TEL:886-2-82618986