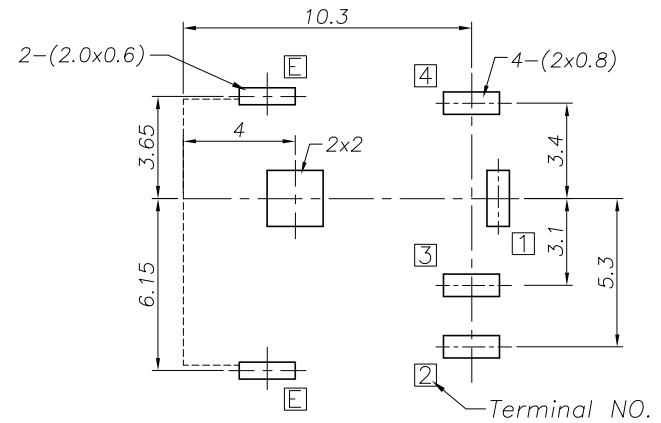


### P. C. B Layout (Copper-sided view)



Model NO.	DC0044C-C	DC0044C-A	DC0044C-B	DC0044C-D
Schematic				

□ : TERMINAL NO. ○ : ITEM NO.

Model No.	DC0044C-_G	DC0044C-_H	DC0044C-_J
PIN	φ1.65	φ2.0	φ2.5

#### SPECIFICATION

1. Rating : DC 30V 2.0A;
2. Contact resistance:  $\leq 30m\Omega$ ;
3. Insulation resistance:  $\geq 100M\Omega$  (DC250V);
4. Withstand voltage: 500VAC ;
5. Insertion and extraction force: 3-30N;
6. Life test: 5,000 cycles.

⑦	Earth terminal	1	Brass	DC0044C-E1 (JA-1038)	Ni-Plating		
⑥	Contact foot	1	Bronze	DC00440-04 (JA-1037)	Ag-Plating		
⑤	Shunt terminal	1	Brass	DC00440-03 (PP-1035)	Ag-Plating		
④	Tip spring	1	Stainless steel	DC00440-02 (TP-1034)	Ag-Plating		
③	Center pin contact	1	Brass	DC00440-01 (PP-1036)	Ag-Plating		
②	Center pin	1	Brass	DC00440-99 (YZ-632)	Ni-Plating		
①	Housing	1	PBT	DC0044C-S1 (ST-1033)			
NO.	DESCRIPTION	QTY	MATERIAL	PART NO.	PLATING		
UNIT: MM	TYPE: DC POWER JACK	MODEL NO: DC0044C-_		PAPER NO: A4	PAGE 1 OF 1		
				TOLERANCE: ±0.3	ANGLES: ±2°	SCALE: FULL	VER: 1
DESIGNER BY:	Dengtao 2008.2.14		淮 洋 有 限 公 司 HUI YANG CO., LTD.				
CHECK BY:			www.hy1688.com.tw TEL:886-2-82618986				
APPROVED BY:							