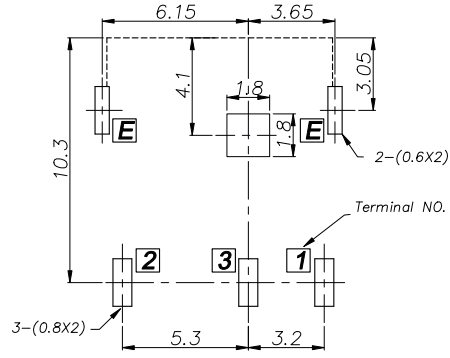
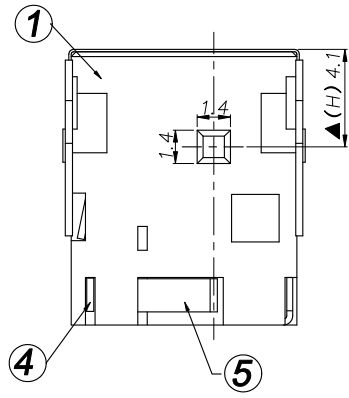
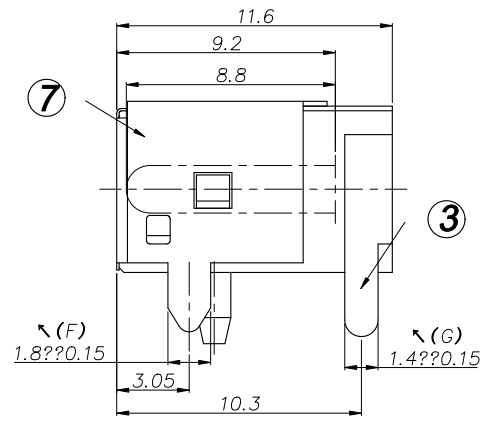
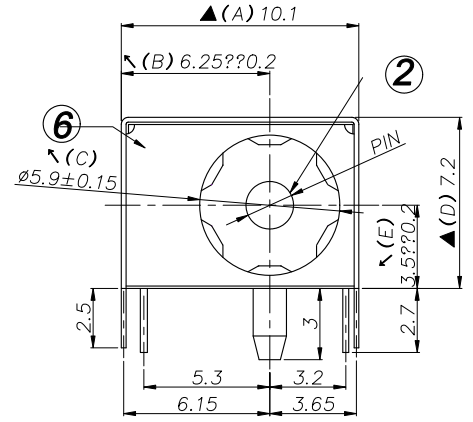
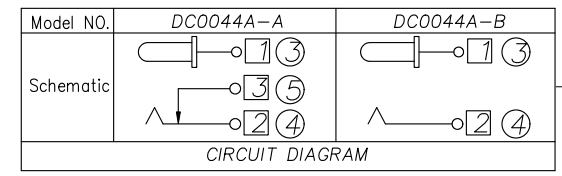
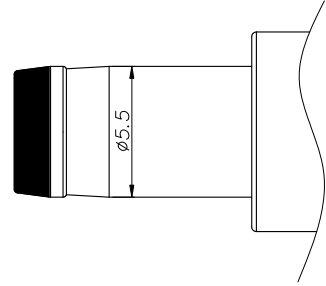


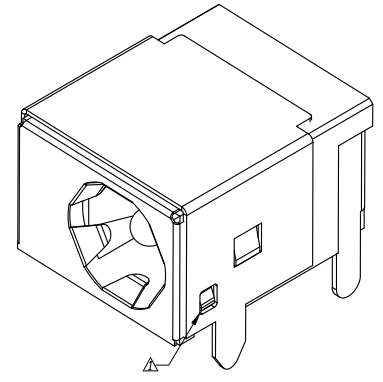
REV. LTR.	DESCRIPTION	SIGN	DATE



RECOMMENDED P.C.B. LAYOUT
UNSPECIFIED TOLERANCE: ±0.05
(COPPER-SIDED VIEW)



Model No.	DC0044A-_G	DC0044A-_H	DC0044A-_J
PIN	φ1.65	φ2.0	φ2.5



Ordering information:
DC0044A-□□□□0A□□□
 ①:Series No
 ②:Schematic option: A B
 ③:Center pin diameter:
 G=1.65 H=2.0 J=2.5
 ④:Material of housing:
 9T=PA9T (Standard) PB=PBT
 ⑤:Housing color:0A=Black(Only)
 ⑥:Terminal plating:
 S=Silver (Ag) (Standard)
 T=Tin (Sn) G=Gold (Au)
 ⑦:Special option:
 0:No special option
 ⑧:Packing mode:
 1:Reel packing
 3:Plastic box packing
 4:Bag packing

Specification:
 1. Rating \sphericalangle DC 25V 3.0A
 2. Contact resistance \sphericalangle \approx 50m次
 After test: \approx 100m次
 3. Insulation resistance \sphericalangle \approx 100M次 (500VDC)
 After test: \approx 50M次
 4. Withstand voltage \sphericalangle 500VAC
 5. Insertion and extraction force \sphericalangle 3N · 30N
 6. life test \sphericalangle 5000cycles min
 7. Operation temperature range: -20 \sphericalangle · 70 \sphericalangle
 8. Preservative temperature range: -40 \sphericalangle · 85 \sphericalangle
 9. Sign " " is importance dimension

⑦	Ground shield	E	1	Phosphor Bronze t=0.2	DC0044A-E1 (JA-974)	Ni-Plating
⑥	Shield plate		1	Stainless steel t=0.1	DC0044A-W1 (JA-975)	Ni-Plating
⑤	Shunt terminal	3	1	Brass t=0.3	DC00440-03 (WP-627)	Ag-Plating
④	Tip spring	2	1	Phosphor Bronze t=0.3	DC00440-02 (TP-628)	Ag-Plating
③	Center pin contact	1	1	Brass t=0.25	DC00440-01 (JA-629)	Ag-Plating
②	Center pin		1	Brass	DC00440-99G (YZ-631) DC00440-99H (YZ-630) DC00440-99J (YZ-632)	Ni-Plating
①	Housing		1	PBT/PA9T	DC0044A-S1 (ST-973)	
NO.	DESCRIPTION	QTY	MATERIAL	PART NO.	PLATING	

UNIT:MM	TYPE:	MODEL NO:	PAPER NO: A4	PAGE 1 OF 1
	DC POWER JACK	DC0044A- _ _ _ 0A_0_	TOLERANCE	SCALE
			±0.3	FULL
			ANGLES	VER
			±2°	3

DESIGNER BY: Pngdong Xiao 2011.03.22
 CHECK BY:
 APPROVED BY:
 淮洋有限公司 HUI YANG CO., LTD.
 www.hy1688.com.tw TEL:886-2-82618986