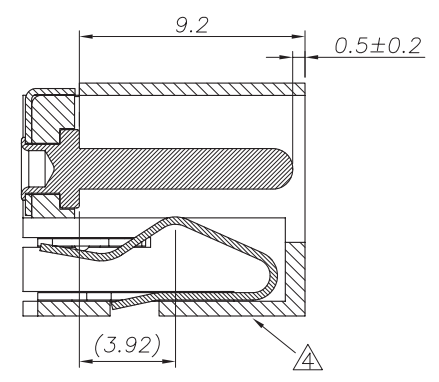
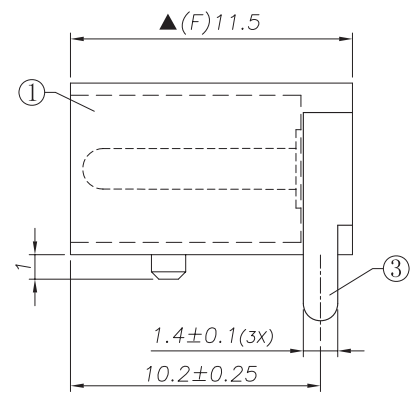
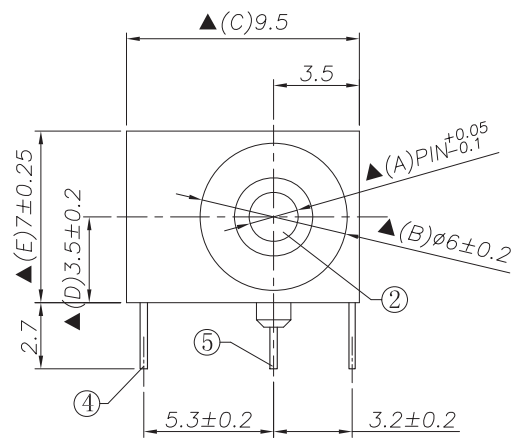
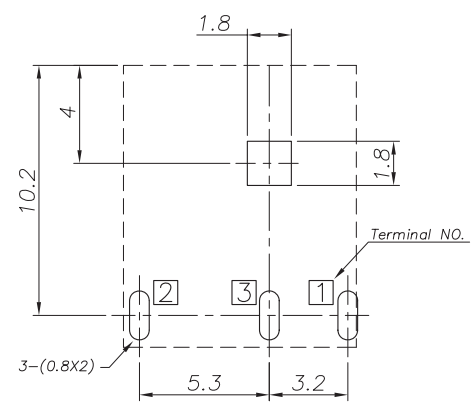
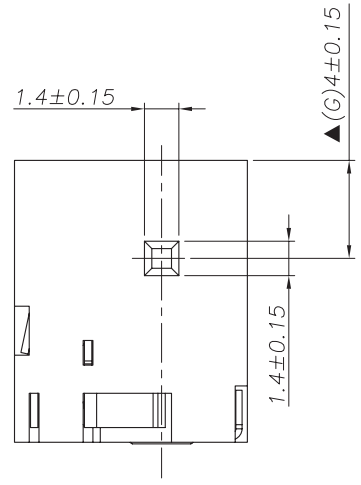
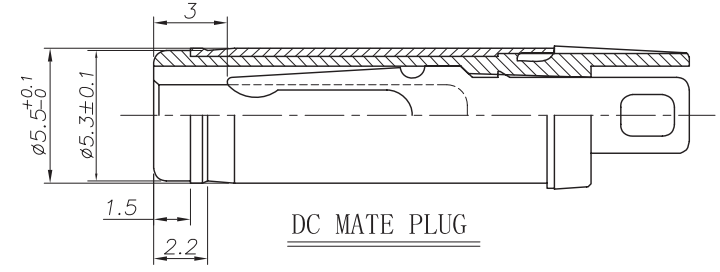
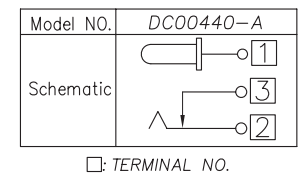


REV. LTR.	DESCRIPTION	SIGN	DATE
△3 x3	1.Add deminsion; 2.Change tolerance	YUJUN	2010.12.28
△4 x1	1.Add view and dimension	PD X	2011.02.24

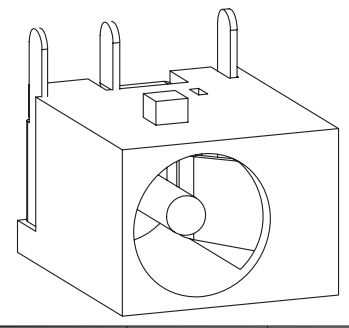


Ordering information:
 DC00440 -A 0A S 0
 (1) (2) (3) (4) (5) (6) (7) (8)
 (1):Series No.
 (2):Schematic option:A
 (3):Center pin diameter:
 G=1.65 H=2.0 J=2.5
 (4):Material of housing:
 PB=PBT, 9T=PA9T
 (5):Housing color: 0A=Black
 (6):Terminal plating:
 S=Silver (Ag)
 (7):Special option:
 Zero—0=No special option
 (8):Packing mode:
 1=Reel packing
 4=Bag packing

Model No.	DC00440- <u>G</u>	DC00440- <u>H</u>	DC00440- <u>J</u>
PIN	ø1.65	ø2.0	ø2.5



RECOMMENDED P. C. B. LAYOUT
 UNSPECIFIED TOLERANCE: ±0.1
 (Copper-sided view)



- Specification:
- Rating : DC 25V 3A;
 - Contact resistance: ≤30mΩ;
After test: ≤50mΩ
 - Insulation resistance: ≥100MΩ (500VDC);
After test: ≥50MΩ
 - Withstanding voltage: 500VAC ;
 - Insertion and extraction force: 3N~30N;
 - life test: 5000cycles min;
 - Operation temperature range:-20℃~70℃
 - Preservative temperature range:-40℃~85℃
 - Sign"▲" is importance dimension

⑤	Shunt terminal	3	1	Brass,t0.3	DC00440-03(WP-627)	Silver plating
④	Tip spring	2	1	Phosphor bronze,t0.3	DC00440-02(TP-628)	Silver plating
③	Center pin contact	1	1	Brass,t0.25	DC00440-01(JA-629)	Silver plating
②	Center pin		1	Brass	DC00440-99G(YZ-631) DC00440-99H(YZ-630) DC00440-99J(YZ-632)	Copper&tin plating
①	Housing		1	PBT/PA9T	DC00440-S1(ST-626)	Black
NO.	DESCRIPTION	QTY	MATERIAL	PART NO.	REMARK	
UNIT:MM		TYPE:		MODEL NO:	PAPER NO: A4	PAGE 1 OF 1
		DC POWER JACK		DC00440-A-__0AS0_	TOLERANCE	ANGLES
					±0.3 △	±2'
DESIGNER BY:		Pingdong Xiao 2011.04.21		淮 洋 有 限 公 司 HUI YANG CO., LTD.		
CHECK BY:				www.hy1688.com.tw TEL:886-2-82618986		
APPROVED BY:						